

# SALSA EXP SERIES ANYTHING CRADLE, DRY BAG, & FRONT POUCH INSTRUCTIONS

At Salsa, we believe that a sense of adventure makes life better. The bicycle can be so much more than just a bike; it's a path to new places, new people, and amazing experiences. Thank you for your purchase. We hope it makes a good riding experience even better!  
Salsa. Adventure by bike®.

**⚠ WARNING:** CYCLING CAN BE DANGEROUS. BICYCLE PRODUCTS SHOULD BE INSTALLED AND SERVICED BY A PROFESSIONAL MECHANIC. NEVER MODIFY YOUR BICYCLE OR ACCESSORIES. READ AND FOLLOW ALL PRODUCT INSTRUCTIONS AND WARNINGS INCLUDING INFORMATION ON THE MANUFACTURER'S WEBSITE. INSPECT YOUR BICYCLE BEFORE EVERY RIDE. ALWAYS WEAR A HELMET.

## EXP Series Anything Cradle Instructions

**⚠ WARNING:** The combined weight of the EXP Series Front Pouch and the EXP Series Drybag must not exceed 8 lb/3.6kg on the EXP Series Anything Cradle.

**⚠ WARNING:** Dangling straps risk getting caught in the wheel. Be sure to secure all straps before riding.

**⚠ WARNING:** ENTANGLEMENT OF YOUR CARGO OR THE STRAPS IN YOUR WHEEL COULD STOP THE ROTATION OF THE WHEEL CAUSING A LOSS OF CONTROL OR CRASH THAT COULD LEAD TO SERIOUS INJURY.

## INTENDED USE

The Anything Cradle creates carrying capacity off of and in front of your handlebars.



Intended for ASTM 3 conditions, defined as rough trails, rough unpaved roads, rough terrain, and unimproved trails that require technical skills. Jumps and drops should not exceed 24" (61cm).

They are NOT INTENDED for hardcore freeriding, extreme downhill, dirt jumping, slopestyle, or very aggressive or extreme riding.

## COMPATIBILITY

The EXP Series Anything Cradle is compatible with 31.8mm diameter drop bar and mountain handlebars that have passed ISO 4210 aero bar load test 4.7.6.7. See [salsacycles.com](http://salsacycles.com) for approved Salsa handlebars. Please contact the handlebar manufacturer to see if their handlebar can be used.

The EXP Series Anything Cradle is designed to be used with Salsa EXP Series Dry Bag, Anything Cradle Straps, and EXP Series Front Pouch (optional). If using your own dry bag, we recommend that it have a lateral holding feature (e.g. daisy chain) to keep straps in place on the dry bag and to prevent the bag from ejecting from the rack.

## TOOLS

- 4mm hex wrenches
- Carbon paste for carbon handlebars

## COMPONENTS

- 1 Anything Cradle (1)
- 2 Anything Cradle Clamps (2)
- 4 stainless steel 20mm flat head M6 bolts (4)
- 2 stainless steel 20mm M5 bolts (2)
- 850mm nylon straps with buckles (2)

## INSTALLING THE EXP ANYTHING CRADLE

1. Determine if you want to run your cable housing above, below, or inside of the cradle arms cutouts before installing.
2. With the 4mm hex wrench and the four flat head M6 bolts provided, assemble the Anything Cradle brackets to the cradle so the hinged cradle supports open from the bottom (Fig. 1). Tighten the M6 bolts to 4–5Nm.

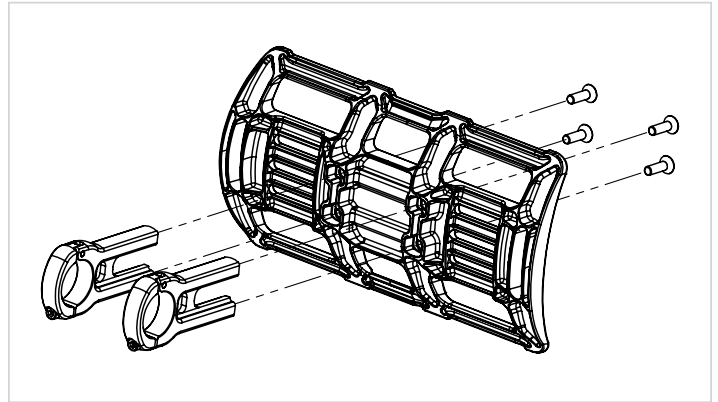


Figure 1

3. Put the cradle arms around the 31.8mm bore of the handlebar (at stem). With the 4 mm hex wrench, thread the two 20mm M5 bolts into the unhinged end of the Anything Cradle brackets. Position the Anything Cradle slightly downward from level and make any cable routing considerations.
4. We recommend rotating the cage down as makes sense and gives proper clearance. Proper clearance to the tire should be no less than 6mm and ideally at least 10mm. Once load is secured, make sure the cargo, straps, and cradle do not interfere with the function of your bicycle BEFORE attempting to ride. Ensure even cargo distribution, and confirm lights and reflectors are not obstructed. If using a suspension fork, check the clearance at full bottom out. You must have at least 6mm of clearance from the tire and 10mm is recommended. The further the cradle is rotated downward the less it is cantilevered over your front axle which improves handling.
5. Tighten the M5 bolts to 4–5Nm.
  - ⚠ WARNING:** Do not exceed handlebar manufacturer recommended torque, 5Nm maximum.

# SALSA EXP SERIES ANYTHING CRADLE, DRY BAG, & FRONT POUCH INSTRUCTIONS

## INSTALLING THE EXP ANYTHING CRADLE STRAPS

1. Remove the male ends (3-pronged clasps) and strap loops from the ends of the Anything Cradle straps. (Fig. 2)



Figure 2

2. Feed the end of the Anything Cradle Strap without the male end from the back of the cradle through the top slot (of the three slots in the middle of the cradle), then through the middle slot out the back, and again from the back through the bottom of the three slots. (Fig. 3)

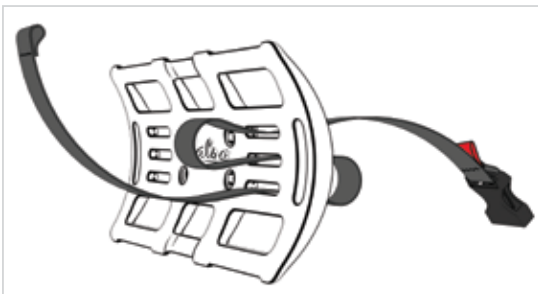


Figure 3

3. Feed the female end of the Anything Cradle Strap from the front and through the top of the three slots. The Anything Strap is now free from slipping through the slots and ready to hold gear. Reattach the male end to the Anything Strap by feeding the strap through the bottom slot closest to the prongs, and back down through the remaining slot (Fig. 4). Reinstall the strap loops to secure any remaining length of Anything Cradle Strap.



Figure 4

**⚠ WARNING:** Dangling straps risk getting caught in the wheel. Be sure to secure all straps before riding.

**⚠ WARNING:** ENTANGLEMENT OF YOUR CARGO OR THE STRAPS IN YOUR WHEEL COULD STOP THE ROTATION OF THE WHEEL CAUSING A LOSS OF CONTROL OR CRASH THAT COULD LEAD TO SERIOUS INJURY.

4. Using the same process install the second strap.

## ONGOING MAINTENANCE

### Fabric Care

Hand wash with warm water and all-purpose detergent. Air dry.

## EXP Series Dry Bag Instructions

**⚠ WARNING:** The combined weight of the EXP Series Front Pouch and the EXP Series Drybag must not exceed 8 lb/3.6kg on the EXP Series Anything Cradle.

**⚠ WARNING:** Dangling straps risk getting caught in the wheel. Be sure to secure all straps before riding.

**⚠ WARNING:** ENTANGLEMENT OF YOUR CARGO OR THE STRAPS IN YOUR WHEEL COULD STOP THE ROTATION OF THE WHEEL CAUSING A LOSS OF CONTROL OR CRASH THAT COULD LEAD TO SERIOUS INJURY.

## INTENDED USE AND COMPATIBILITY

The EXP Series Dry Bag is tailored to fit the Anything Cradle, attached via a pair of our Anything Cradle Straps. It also mates with the EXP Series Front Pouch.

## INSTALLATION INSTRUCTIONS

1. Fill the 15L EXP Series Dry Bag with your desired gear. Do not overstuff the bag. Close one end of the bag by pulling the buckles apart from each other and "closing" the end. With the ends laying flat together, fold over the rigid end of the bag at least three times, and pull the buckles together to close them.
2. If the same steps for closing the end of the bag cannot be repeated on the other end, re-evaluate your load as it may be too big. As you close the bag, purge the air out to make the bag more compact.

## TO ATTACH THE EXP SERIES DRY BAG TO THE EXP SERIES ANYTHING CRADLE

1. Run the two hook-and-loop attachments on the bag through the large rectangular openings at the top of the EXP Series Anything Cradle to suspend the bag.
2. Run the EXP Series Anything Cradle Strap's female end through the slots in the bottom of the EXP Series Dry Bag to prevent the EXP Series Dry Bag from shifting side to side in the EXP Series Anything Cradle.
3. Insert the male end of the buckle into the female end, and pull the remaining strap tight to secure your load.

**⚠ WARNING:** Dangling straps risk getting caught in the wheel. Be sure to secure all straps before riding.

**⚠ WARNING:** ENTANGLEMENT OF YOUR CARGO OR THE STRAPS IN YOUR WHEEL COULD STOP THE ROTATION OF THE WHEEL CAUSING A LOSS OF CONTROL OR CRASH THAT COULD LEAD TO SERIOUS INJURY.

## SALSA EXP SERIES ANYTHING CRADLE, DRY BAG, & FRONT POUCH INSTRUCTIONS

4. Use the same process to secure the second strap. After both straps are secure and the bag is loaded tension the straps until the load cannot move and secure the straps.

### ONGOING MAINTENANCE

#### Fabric Care

Hand wash with warm water and all purpose detergent. Air dry.

### EXP Series Front Pouch Instructions

**⚠ WARNING:** The combined weight of the EXP Series Front Pouch and the EXP Series Drybag must not exceed 8 lb/3.6kg on the EXP Series Anything Cradle.

**⚠ WARNING:** Dangling straps risk getting caught in the wheel. Be sure to secure all straps before riding.

**⚠ WARNING:** ENTANGLEMENT OF YOUR CARGO OR THE STRAPS IN YOUR WHEEL COULD STOP THE ROTATION OF THE WHEEL CAUSING A LOSS OF CONTROL OR CRASH THAT COULD LEAD TO SERIOUS INJURY.

### INTENDED USE AND COMPATIBILITY

The EXP Series Anything Cradle Front Pouch adds easy accessibility to gear. The EXP Series Front Pouch utilizes a buckle attachment design that fully integrates with our EXP Series Anything Cradle, Anything Cradle Straps, and EXP Series Dry Bag.

**NOTE:** The EXP Series Front Pouch fits to the exterior of the EXP Series Dry Bag using the EXP Series Anything Cradle straps. Without the Dry Bag, the straps may be too long to adequately snug the Front Pouch to the Cradle, which could result in loose, shifting pouch weight that could adversely effect handling. Only use the EXP Series Front Pouch in conjunction with the EXP Series Dry Bag or a similarly sized load.

### INSTALLATION INSTRUCTIONS

1. With the EXP Series Dry Bag loaded and in place on the EXP Series Anything Cradle, detach the Anything Cradle Straps.
2. Insert the male ends of the Anything Cradle Straps into the female ends at the top and in back of the EXP Series Front Pouch.
3. Insert the female ends of the Anything Cradle Straps over the male ends at the bottom (Fig. 5) and in back (Fig. 6) of the EXP Series Front Pouch.
4. Re-tighten the Anything Cradle Straps to secure the load making sure that load cannot move and secure straps using supplied parts.



Figure 5



Figure 6

### ONGOING MAINTENANCE

#### Zipper Care

To ensure reliable performance from EXP Series bikepacking accessories zippers, do not try closing the zipper if the bag is overstuffed or excessive force would be required to close it. Do not force a zipper in an overstuffed pack as this may cause the zipper teeth to come undone from the pack itself and be irreparable. Do not force a slider that has fabric or thread caught in it. Gently pull the slider back and remove the trapped fabric or thread.

**NOTE:** Excessive force applied to zippers may not be covered by warranty.

Do not force a zipper slider that does not open or close smoothly. The zipper should be closed with the slider all the way to the top before cleaning to prevent clogging the teeth of the zipper. Apply Paraffin or ZIPPYCOOL® to the front and back side of the zipper teeth, and move the slider up and down several times to work in the lubricant.

#### Fabric Care

Hand wash with warm water and all purpose detergent. Air dry.

### Warranty

Proof of purchase is required before a warranty claim is processed. Salsa Cycles therefore strongly encourages warranty registration at [salsacycles.com](http://salsacycles.com). Failure to register will not affect consumer rights under the limited warranty stated above, so long as the consumer can show in a reasonable manner proof of original ownership and the date the Salsa Cycles product was purchased.

If you have any questions contact [warranty@salsacycles.com](mailto:warranty@salsacycles.com)

### SALSA CYCLES

6400 West 105th Street, Bloomington, MN 55438  
Tel: 877-668-6223 Fax: 952-983-6210  
[www.salsacycles.com](http://www.salsacycles.com)