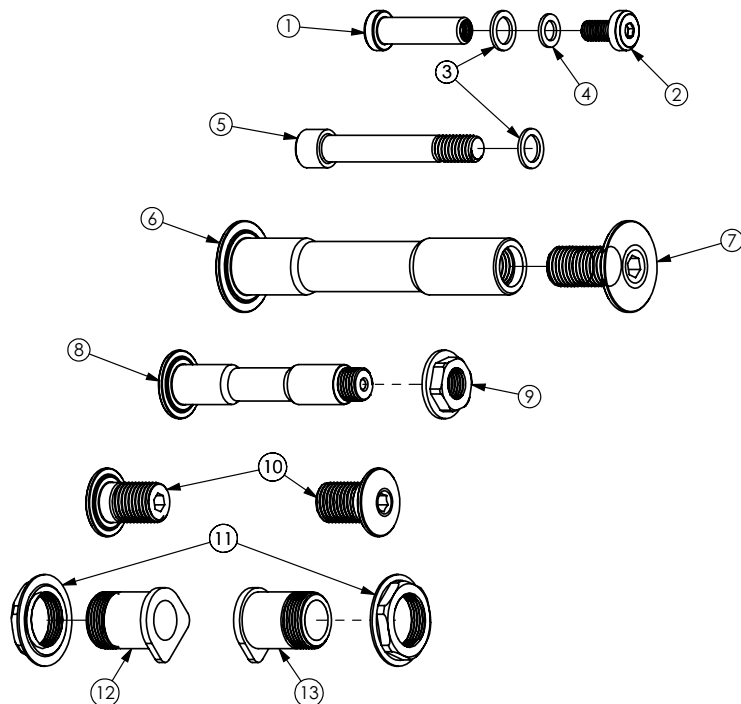


# BUCKSAW SPLIT PIVOT® SERVICE KIT INSTRUCTIONS

Figure 1



Item #	Description	Qty.
1	Forward Shock Pin	1
2	Forward Shock Bolt	1
3	Washer (8 x 12 x 1)	2
4	Washer (6 x 10 x 1)	1
5	Rear Shock Pin	1
6	Main Pivot Pin	1
7	Main Pivot Bolt	1
8	Control Link Pin	1
9	Control Link Nut	1
10	Floating Pivot Bolt	2
11	Axle Nut	2
12	Axle Stud, non-driveside	1
13	Axle Stud, driveside	1

At Salsa, we believe that a sense of adventure makes life better. The bicycle can be so much more than just a bike; it's a path to new places, new people, and amazing experiences.

Thank you for your purchase. We hope it makes a good riding experience even better!

Salsa. Adventure by bike.

This pivot service kit contains replacement hardware for Salsa Bucksaw suspension frames featuring Split Pivot® technology. Please thoroughly review this document, the included schematics, and charted details before beginning. **SERVICE MUST BE PERFORMED BY A PROFESSIONAL MECHANIC WITH PROFESSIONAL TOOLS.** We recommend your local Salsa dealer.

**▲ WARNING:** CYCLING CAN BE DANGEROUS. BICYCLE PRODUCTS SHOULD BE INSTALLED AND SERVICED BY A PROFESSIONAL MECHANIC. NEVER MODIFY YOUR BICYCLE OR ACCESSORIES. READ AND FOLLOW ALL PRODUCT INSTRUCTIONS AND WARNINGS INCLUDING INFORMATION ON THE MANUFACTURER'S WEBSITE. INSPECT YOUR BICYCLE BEFORE EVERY RIDE. ALWAYS WEAR A HELMET.

## Compatibility & Intended Use

This pivot service kit is compatible with the following Salsa suspension frames featuring Split Pivot® technology

- Bucksaw Alloy
- Bucksaw Carbon

**NOTE:** Replacement bearings are NOT included in this kit. Replacement bearings must be purchased separately. Refer to figure 2 for information regarding bearing size and quantity needed.

**NOTE:** A replacement derailleur hanger and replacement housing guides are NOT included in this kit. The items are available separately. See figure for more details.

## Tools Required

See Column 7 in the tables of figures 2 and 3 for the tools necessary to service the pivots.

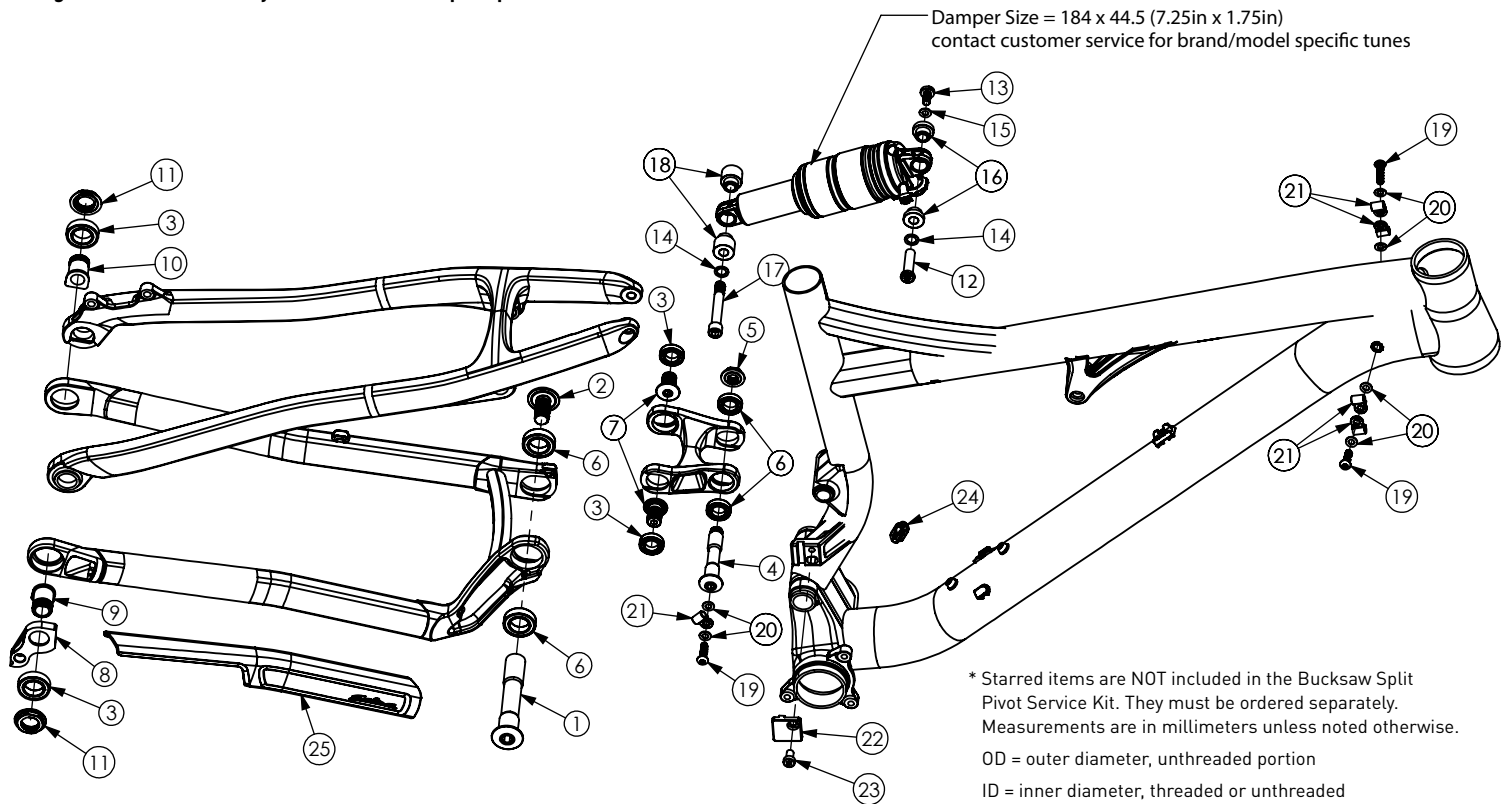
## Installation

Before you begin working on the bike:

- Review figure 1 to ensure the pivot service kit came with all the correct parts. Please note that this kit includes parts for all Bucksaw models. In the unlikely event that any parts are missing, contact your local Salsa Dealer or Salsa Customer Service
- Review figure 2 (alloy), and figure 3 (carbon) and the accompanying table. Details regarding the tools and consumables (grease, thread lock) required to properly service the pivots of the Salsa Bucksaw frame can be found in these exploded views and the accompanying tables. Do not attempt to service the frame pivots if you lack any of these tools or supplies
- A bearing puller, bearing press, and knowledge of how to properly use these tools are required to change the cartridge bearings in a Salsa Bucksaw frame. If you do not have these tools, or do not know how to properly remove and install cartridge bearings with them, do not attempt to replace the bearings in the frame
- A torque wrench is required to service the pivots of Salsa Bucksaw frames. If you do not have a torque wrench or knowledge of how to properly operate it, do not attempt to service the pivots of the frame

# BUCKSAW SPLIT PIVOT® SERVICE KIT INSTRUCTIONS

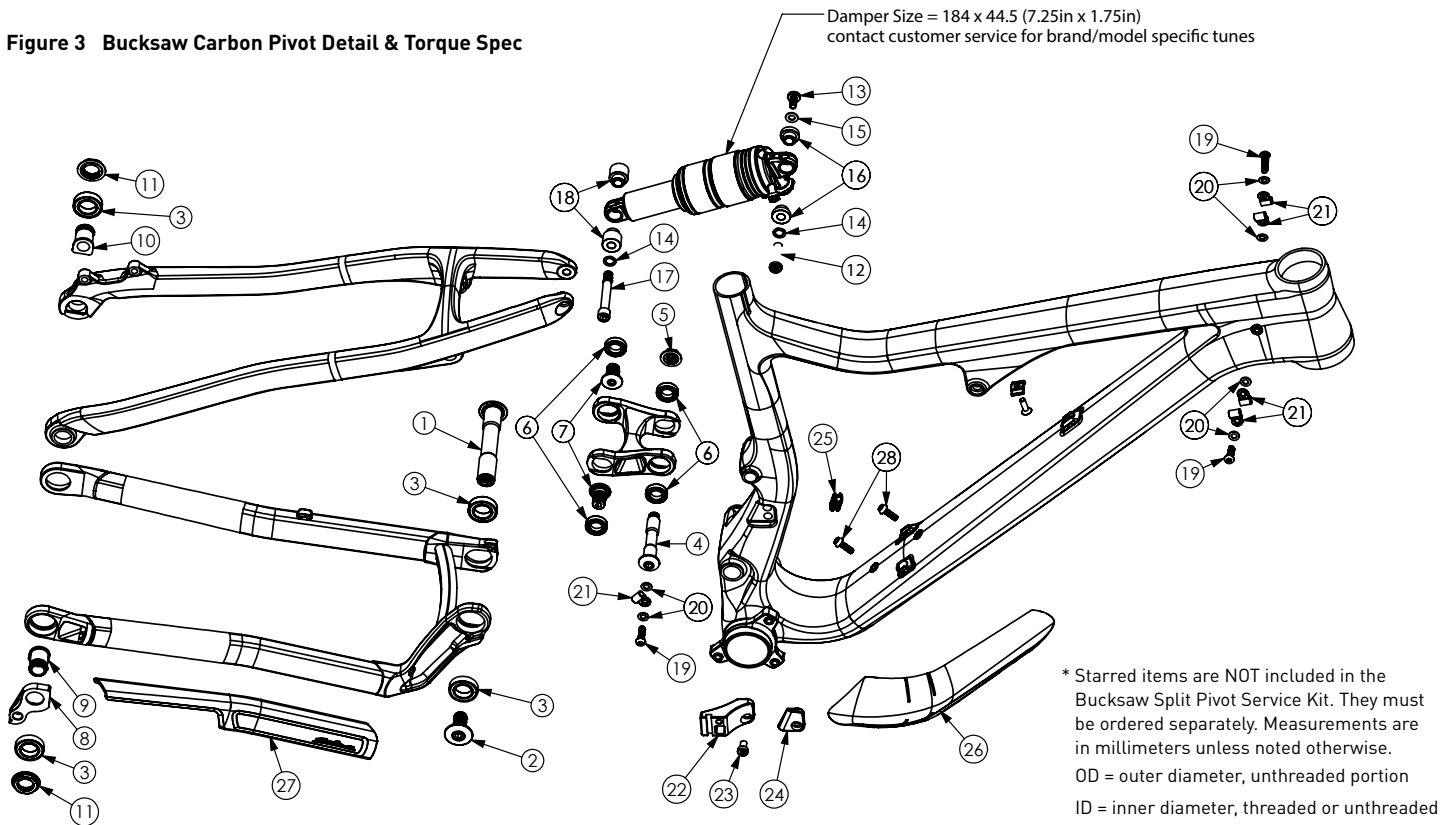
Figure 2 Bucksaw Alloy Pivot Detail & Torque Spec



Item #	Qty.	Description	Size/Spec	Preparation	Torque	Tool Required	Notes
1	1	Main Pivot Pin	ø17-97L	Grease OD Only		8 Hex Key	
2	1	Main Pivot Bolt	M1 x 1.25 - 25L	Loctite 242 Blue	20Nm/14.7 ft-lb/177 in-lb	6 Hex Key	
3*	4	Bearing - MR17287	17 x 28 x 7w	Grease for PressFit		Bearing Press/Puller	*Sold separately (BB1728)
4	1	Control Link Pin	ø12-67L	Grease OD Only		6 Hex Key	
5	1	Control Link Nut	M10 x 1.0	Loctite 242 Blue	7Nm/5 ft-lb/62 in-lb	15mm Wrench/Socket	
6*	6	Bearing - 6801	12 x 21 x 5w	Grease for PressFit		Bearing Press/Puller	*Sold separately (BB8801)
7	2	Floating Pivot Bolt	M12 x 1.25 - 18L	Loctite 242 Blue	13Nm/9.6 ft-lb/115 in-lb	5 Hex Key	
8*	1	Hanger	Split Pivot				*Sold separately (FS2322)
9	1	Axle Stud, driveside	M12 x 1.75	Grease OD & ID			Compatible thru-axle size is ø12, L = 217, TP = 1.75, TL = 20
10	1	Axle Stud, non-driveside		Grease OD & ID			
11	2	Axle Nut	M17 x 1.0	Loctite 242 Blue	16Nm/11.8 ft-lb/141 in-lb	22mm Cone Wrench/Socket	Socket top cap tool available separately
12	1	Forward Shock Pin	ø8 x 30L	Grease OD Only		5 Hex Key	
13	1	Forward Shock Bolt	M6 x 1.0 - 12L	Loctite 242 Blue	5Nm/3.7 ft-lb/44 in-lb	4 Hex Key	
14	2	Washer	8 x 12 x 1				
15	1	Washer	6 x 10 x 1				
16*	1 Kit	Forward Shock Reducer	8 x 22	Per Shock Manf.		Per Shock Manf.	*Sold separately, per shock manf.
17	1	Rearward Shock Pin	ø8-55L (M8 x 1.25)	Grease OD Only, Threads = Loctite 242 Blue	8Nm/5.9 ft-lb/71 in-lb	6 Hex Key	
18*	1 Kit	Rearward Shock Reducer	8 x 38	Per Shock Manf.		Per Shock Manf.	*Sold separately, per shock manf.
19*	3	Button-Head Cap Screw	M5 x 0.8 - 20L	Loctite 242 Blue	None	T25	*Replacement kit sold separately
20*	5	Washer	M5 Typical				
21*	6Av	Housing Guide Clip	YF-W01				
22*	1	FD Cover Plate					*Sold separately
23*	1	Socket Head Cap Screw	M6 x 1.0 - 10L	Grease	2Nm/1.5 ft-lb/18 in-lb	4 Hex Key	
24*	1	Housing Port Grommet	PLG-00-902			Flat Blade Screwdriver/Pliers	*Replacement sold separately
25*	1	Chainstay Protector	One Size	Clean C/S surface prior			

# BUCKSAW SPLIT PIVOT® SERVICE KIT INSTRUCTIONS

Figure 3 Bucksaw Carbon Pivot Detail & Torque Spec



Item #	Qty.	Description	Size/Spec	Preparation	Torque	Tool Required	Notes
1	1	Main Pivot Pin	ø17-97L	Grease OD Only		8 Hex Key	
2	1	Main Pivot Bolt	M12 x 1.25 - 25L	Loctite 242 Blue	20Nm/14.7 ft-lb/177 in-lb	6 Hex Key	
3*	4	Bearing - MR17287	17 x 28 x 7w	Grease for PressFit		Bearing Press/Puller	*Sold separately (BB1728)
4	1	Control Link Pin	ø12-67L	Grease OD Only		6 Hex Key	
5	1	Control Link Nut	M10 x 1.0	Loctite 242 Blue	7Nm/5 ft-lb/62 in-lb	15mm Wrench/Socket	
6*	6	Bearing - 6801	12 x 21 x 5w	Grease for PressFit		Bearing Press/Puller	*Sold separately (BB8801)
7	2	Floating Pivot Bolt	M12 x 1.25 - 18L	Loctite 242 Blue	13Nm/9.6 ft-lb/115 in-lb	5 Hex Key	
8*	1	Hanger	Split Pivot				*Sold separately (FS2322)
9	1	Axle Stud, driveside	M12 x 1.75	Grease OD & ID			Compatible thru-axle size is ø12, L = 217, TP = 1.75, TL = 20
10	1	Axle Stud, non-driveside		Grease OD & ID			
11	2	Axle Nut	M17 x 1.0	Loctite 242 Blue	16Nm/11.8 ft-lb/141 in-lb	22mm Cone Wrench/Socket	Socket top cap tool available separately
12	1	Forward Shock Pin	ø8 x 30L	Grease OD Only		5 Hex Key	
13	1	Forward Shock Bolt	M6 x 1.0 - 12L	Loctite 242 Blue	5Nm/3.7 ft-lb/44 in-lb	4 Hex Key	
14	2	Washer	8 x 12 x 1				
15	1	Washer	6 x 10 x 1				
16*	1 Kit	Forward Shock Reducer	8 x 22	Per Shock Manf.		Per Shock Manf.	*Sold separately, per shock manf.
17	1	Rearward Shock Pin	ø8-55L [M8 x 1.25]	Grease OD Only, Threads = Loctite 242 Blue	7Nm/5.9 ft-lb/71 in-lb	6 Hex Key	
18*	1 Kit	Rearward Shock Reducer	8 x 38	Per Shock Manf.		Per Shock Manf.	*Sold separately, per shock manf.
19*	3	Button-Head Cap Screw	M5 x 0.8 - 20L	Loctite 242 Blue	None	T25	*Replacement kit sold separately
20*	5	Washer	M5 Typical				
21*	6	Housing Guide Clip	YF-W01				
22*	1	FD Bracket	Bucksaw Carbon				*Replacement kit sold separately
23*	1	Low Head Socket Cap Screw	M6 x 1.0 - 16L	Loctite 242 Blue	5Nm/3.7 ft-lb/44 in-lb	4 Hex Key	
24*	1	FD Blank Cover	Bucksaw Carbon				
25*	1	Housing Port Grommet	PLG-00-902			Flat Blade Screwdriver/Pliers	
26*	1	Downtube Protector	Bucksaw Carbon	Clean D/T surface prior			*Replacement sold separately
27*	1	Chainstay Protector	One Size	Clean C/S surface prior			
28*	2	Bottle Cage Bolts	M5 x 0.8 - 16L	Grease	4Nm/3 ft-lb/35 in-lb	4 Hex Key	



## BUCKSAW SPLIT PIVOT® SERVICE KIT INSTRUCTIONS

### Ongoing Maintenance

- Check pivots before every ride, tighten to specified torque as needed. Applying thread lock as described helps to prevent bolts from loosening during normal riding conditions
- Inspect pivot hardware for wear/damage at least annually. If pivot hardware becomes damaged, stripped, or develops play that cannot be eliminated with the proper torque specification, replace the affected part(s)
- Check bearings for smooth operation at least annually (more often depending on frequency and riding environment). If bearings are rough, seized, or there is slop between the inner and outer bearing race, replace as needed

### Salsa Cycles Limited Warranty

All Salsa products are warranted against manufacturing defects in materials and workmanship from the date of retail purchase of the product, subject to the limitations detailed below. Save your dated receipt for proof of purchase.

### Three-Year Warranty

All Salsa bicycle forks, parts and components:

This warranty applies to 2014 and newer model bicycles and covers only Salsa Cycles branded product. Any other original part or component shall be covered by the stated warranty of the original manufacturer. Any products not specifically included above are hereby omitted.

TO THE EXTENT NOT PROHIBITED BY LAW, THESE WARRANTIES ARE EXCLUSIVE AND THERE ARE NO OTHER EXPRESS OR IMPLIED WARRANTIES OR CONDITIONS INCLUDING WARRANTIES OR CONDITIONS OF MERCHANTABILITY AND FITNESS FOR A PARTICULAR PURPOSE.

This warranty does not cover the following:

- Damage due to improper assembly or follow-up maintenance or lack of skill, competence, or experience of the user or assembler
- Products that have been modified, neglected, used in competition or for commercial purposes, misused or abused, involved in accidents or anything other than normal use
- Installation of components, parts, or accessories not originally intended for use with or compatible with Salsa product
- Damage or deterioration to the surface finish, aesthetics or appearance of the product including but not limited to paint damage
- Normal wear and tear
- Labor required to remove and/or refit and re-adjust the product within the Salsa product
- Damage to carbon fiber caused by any carbon assembly paste

This limited warranty is expressly limited to the repair or replacement of a defective product, at the option of Salsa Cycles, and is the sole remedy of the warranty. This limited warranty applies only to the original purchaser of the Salsa Cycles product and is not transferable. This warranty applies only to Salsa Cycles products purchased through an authorized dealer or distributor.

In no event shall Salsa Cycles be liable for any loss, inconvenience or damage, whether direct, incidental, consequential, or otherwise resulting from breach of any express or implied warranty or condition, of merchantability, fitness for a particular purpose, or otherwise with respect to our products except as set forth herein. This warranty gives the consumer specific legal rights, and those rights and other rights may vary from place to place. This warranty does not affect your statutory rights.

### Warranty Registration:

Proof of purchase is required before a warranty claim is processed. Salsa Cycles therefore strongly encourages warranty registration at [salsacycles.com](http://salsacycles.com). Failure to register will not affect consumer rights under the limited warranty stated above, so long as the consumer can show in a reasonable manner proof of original ownership and the date the Salsa Cycles product was purchased.

If you have any questions contact [warranty@salsacycles.com](mailto:warranty@salsacycles.com).