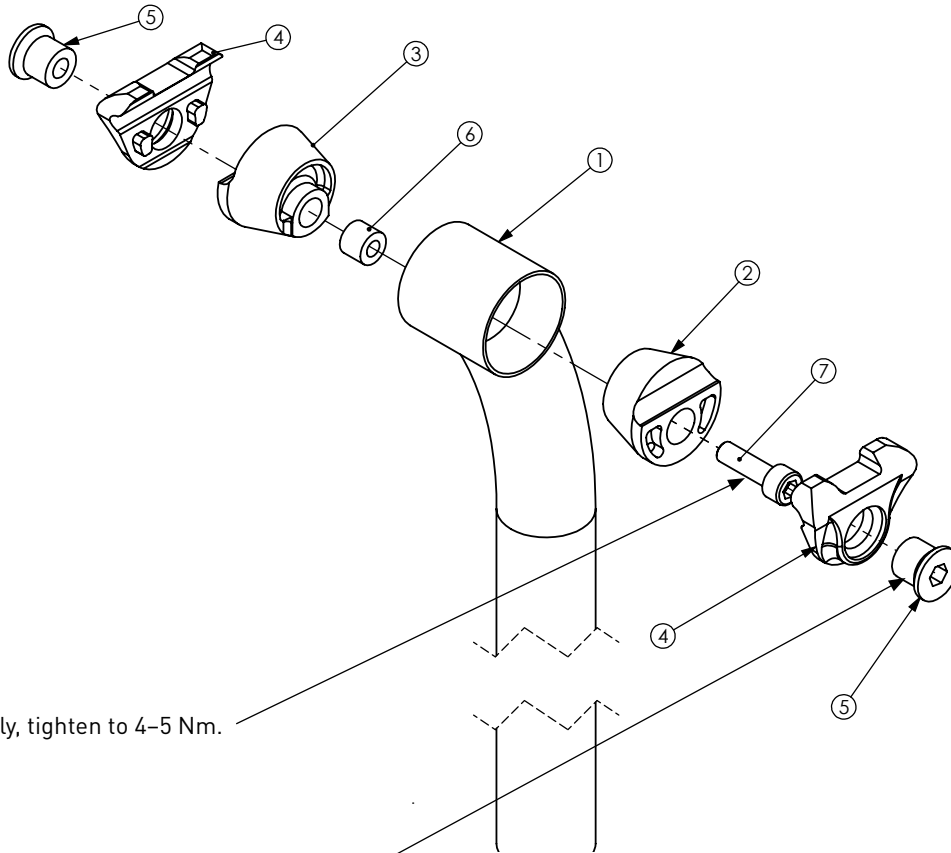


REGULATOR Ti SEATPOST INSTRUCTIONS



Note: For assembly, tighten to 4–5 Nm.

Note: Apply grease to threads and under bolt head.
For assembly, tighten to 3–5 Nm.

Item #	Description	Quantity
1	Regulator Ti Seatpost	1
2	Saddle Rail Rest, Thru-Hole	1
3	Saddle Rail Rest, Threaded	1
4	Saddle Clamp	2
5	Saddle Bolt	2
6	Keylocking Threaded Insert	1
7	M6 Bolt	1

REGULATOR Ti SEATPOST INSTRUCTIONS

⚠ WARNING

Installing this Salsa product on a bicycle requires in-depth knowledge of bicycle mechanics and professional-grade tools. If you do not have the proper tools or knowledge to perform this installation, please take your bicycle to your local bicycle dealer. Failure to appropriately install this product may lead to component failure, resulting in serious injury or death. We recommend that you have this product installed, adjusted and maintained by a professional bicycle mechanic.

Tools: 5mm and 6mm hex wrenches, torque wrench

Intended Use

The Regulator Ti seatpost is intended for road, gravel, and cross-country mountain bike use.

Compatibility

The Regulator Ti seatpost is only compatible with 7mm round metal seat rails. Not for use with carbon seat rails or ovalized seat rails.

Assembly Instructions

1. Insert the saddle rail rests into seatpost (figure 1).
2. Insert M6 bolt into the non-threaded saddle rail rest and thread into the opposing tapered saddle rail rest. Only tighten to hold assembly in-place, so that saddle rail rests can still rotate slightly.
3. Place saddle onto the seatpost, placing the saddle rails onto the saddle rail rest pieces (figure 2).
4. Apply grease to threads and under bolt head. Mount saddle rail clamps and thread in saddle bolts but not so tightly that the rails can't move (figure 3).
5. Place saddle in proper fore/aft position.
6. Once proper saddle position is achieved tighten saddle bolts to 3–5 Nm with M6 hex tool (figure 4).
7. Make sure there is no movement and that saddle cannot slide in clamps.
8. Set the proper angle of the saddle.
9. Tighten the M6 bolt to 4–5 Nm, and a maximum of 10 Nm with M5 hex tool (figure 5).
10. Make sure the saddle cannot move fore/aft or rotationally.
11. Test for slippage before every ride.

Seatpost Adjustment

To Adjust Fore/Aft Position

1. Loosen saddle bolts.
2. Once saddle bolts are loose enough, adjust saddle fore or aft.
3. Check that threads and contact surfaces of saddle bolts are properly greased.

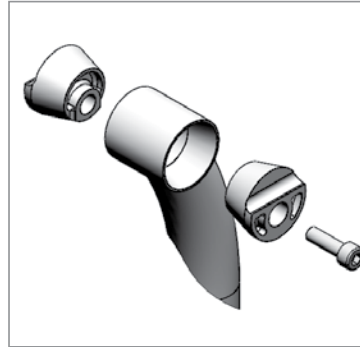


Figure 1



Figure 2



Figure 3



Figure 4



Figure 5

4. Once desired position is achieved, retighten saddle bolts to 3–5Nm.
5. Test for slippage before riding.

To Adjust Saddle Angle

1. Loosen M6 bolt. First you will feel bolt loosen and then you will feel resistance. This is OK; this bolt and assembly act as a self-extracting mechanism. Continue a couple of turns, then push downward on the saddle slightly as you loosen the bolt. Soon the saddle rail rests will loosen from the seatpost and the saddle will pop loose and freely rotate.
2. Adjust the saddle for desired angle and then tighten the M6 bolt to 4–5Nm, 10Nm max.
3. Test for slippage before riding.

REGULATOR Ti SEATPOST INSTRUCTIONS

▲ WARNING

Do not modify the Regulator Ti Seatpost. Doing so will void the warranty (see below).

Periodically remove, clean and inspect your Ti Seatpost for damage (cracks, chips, etc.). Any questions about possible damage should be directed to your local Salsa dealer immediately.

Warranty

Salsa Cycles warrants this new Salsa product against defects in materials and workmanship for two (2) years from the original date of retail purchase by the consumer. This limited warranty is expressly limited to the repair or replacement of the original product, at the option of Salsa Cycles, and is the sole remedy of the warranty. This limited warranty applies only to the original purchaser of the Salsa product and is not transferable. In no event shall Salsa Cycles be liable for any loss, inconvenience or damage, whether direct, incidental or consequential or otherwise resulting from breach of any express or implied warranty or condition, of merchantability, fitness for a particular purpose, or otherwise with respect to this product except as set forth herein.

This warranty does not cover the following:

- Damage due to improper assembly or follow-up maintenance or lack of skill, competence or experience of the end user
- Products that have been modified, neglected, used in competition or for commercial purposes, misused or abused, involved in accidents or anything other than normal use
- Damage or deterioration to the surface finish, aesthetics or appearance of the product
- Normal wear and tear
- Labor required to remove and/or refit and re-adjust the product within the bicycle assembly

TO THE EXTENT NOT PROHIBITED BY LAW, THESE WARRANTIES ARE EXCLUSIVE AND THERE ARE NO OTHER EXPRESS OR IMPLIED WARRANTIES OR CONDITIONS INCLUDING WARRANTIES OR CONDITIONS OF MERCHANTABILITY AND FITNESS FOR A PARTICULAR PURPOSE

SALSA CYCLES

6400 West 105th Street, Bloomington, MN 55438

Tel: 877-MOTO-ACE Fax: 952-983-6210

www.salsacycles.com

7328 03/14

For additional product and safety information go to salsacycles.com/safety