

**SALSA**

# **TRIBUTARY**

---

MID DRIVE MOTOR / 625 WH BATTERY / 85Nm / 28 MPH (20 MPH CX MOTOR)

## **BOSCH PERFORMANCE LINE SPEED**

**EN:** SUPPLEMENTAL MANUAL

**FR:** MANUEL SUPPLÉMENTAIRE

**IMPORTANT:** THIS MANUAL CONTAINS IMPORTANT SAFETY, PERFORMANCE AND SERVICE INFORMATION.  
READ IT BEFORE YOU TAKE THE FIRST RIDE ON YOUR NEW BICYCLE, AND KEEP IT FOR REFERENCE.

**SALSA CYCLES**

6400 West 105th Street, Bloomington, MN 55438

Tel: 877-668-6223 Fax: 952-983-6210

[www.salsacycles.com](http://www.salsacycles.com)

For additional product and safety information go to [salsacycles.com/support](http://salsacycles.com/support)

# TABLE OF CONTENTS

## Quick-Start Guide

- System Layout ..... 4
- Charging the Battery ..... 5
- Battery Charge Indicators ..... 5
- Turning the System ON and OFF ..... 6
- Assist Modes ..... 6
- System Controller/Mini Remote ..... 7

## Storing and Transporting Your Ebike ..... 8

## Maintenance

- Cleaning your Ebike ..... 9
- Motor Removal ..... 10
- Charge Port and Cover Removal ..... 11
- Internal Battery Removal ..... 12

## Bosch Ebike Flow App ..... 13

## Troubleshooting

- Error code map ..... 14

## Warranty ..... 16

At Salsa, we believe that adventure makes life better. Our products lead riders to new places, new people, extraordinary achievements, and unforgettable experiences.

Thank you for your purchase. We hope it makes a good riding experience even better!

Salsa. Adventure by Bike.®

This manual contains important ebike safety, performance, and service information. Read it before you take the first ride on your new electric bicycle and keep it for reference.

Additional safety, performance and service information for specific components such as on your bicycle or for accessories such as helmets or lights that you purchase may also be available. Make sure that your dealer has given you all the manufacturers' literature that was included with your bicycle or accessories. In case of a conflict between the instructions in this manual and information provided by a component manufacturer, always follow the component manufacturer's instructions. If you have any questions or do not understand something, take responsibility for your safety and consult with your dealer or the bicycle's manufacturer.

Your Salsa bicycle has an electric pedal-assist drive system. When the assist system is ON, the motorized drive unit will only engage when you are pedaling; when the assist system is OFF, the ebike will operate like any non-motorized bicycle.

The amount of power provided depends on your pedaling force and the assistance mode you set with the handlebar control unit. When you stop pedaling, the motorized assistance will disengage. Pedal assistance will reduce as you approach 28 mph/45 kph (20 mph/32 kph for CX motor) and cut off at any speed above that.

Before your first extended ride, take time to practice in a safe area and learn the controls to your ebike until you are confident in your handling and can focus on the ride.

## Use Warnings

**▲ WARNING:** It is your responsibility to know and follow all local laws and regulations. Ebike laws can vary by city and state, you may need to fit your bicycle with additional equipment to comply with local laws. Only ride your ebike according to the approved local laws. Do not ride your bicycle until all locally required reflectors, lighting, and other safety devices have been installed by a professional bike mechanic. Special licensing or permits may be required.

**▲ WARNING:** Do not attempt to tamper with your e-bike especially the maximum speed that it supports. Doing this may put yourself and others at risk, and you could also violate federal and local regulations. Do not make any modifications to your ebike system or fit any other products that might increase the performance of your ebike system.

Avoid using your ebike in extreme weather conditions. The ebike pedal-assist system components have a water resistance rating that protects them against rain and splashes; however, extreme weather conditions may damage the components.

Do not leave your bicycle exposed to high temperatures for long periods of time. It may damage the components. Observe the recommended temperature ranges for use (discharge), charge, and storage of your ebike as defined by the manufacturer. The use, charge, and storage of your ebike outside these recommended temperature ranges may affect the battery cells and reduce their life and available range.

## **Getting Acquainted with Your New Ebike**

Your ebike will feel familiar and like an all-new experience. Take some time to figure out how the ebike operates in a safe space away from cars and obstacles. Start slow and try out the various functions of the ebike drive system assist modes as well as the braking, shifting and suspension system your ebike may be equipped with.

Your ebike is both faster and heavier than you may be accustomed to. Slowing down may take extra time and force, make sure to give yourself extra braking time, especially when you are new to the system.

In addition to needing more time to slow down due to the speed you can reach on an ebike, motorists you share the road with are likely not anticipating a cyclist to move as fast as you are on an ebike. Stay attentive when riding in traffic and approaching intersections.

Bicycle rules and etiquette still apply to ebikes. Bicycle advocacy organizations such as People for Bikes and the International Mountain Bicycle Association (IMBA) have excellent resources for you to find the latest in education, etiquette and regulations related to ebikes.

## **Things to Consider while Riding**

- Do not touch the drive unit housing during or immediately after a ride, as the housing may be hot after use.
- To facilitate gear shifting and reduce wear on the powertrain, reduce your pedaling force or briefly stop pedaling when shifting gears.
- Be aware of the factors that affect your ebike battery's range, including:
  - Assistance level
  - Riding speed
  - Gearing choices
  - Tire type and air pressure
  - Age and condition of the battery
  - Route elevation profile (gradients)
  - Wind direction and ambient temperature
  - Road surface conditions
  - Weight of ebike, rider, and luggage

## System Layout

The Bosch pedal-assist system consists of a mid-drive motor unit, a battery, a system controller, and various electronic components (harness wires, sensors, and switches).

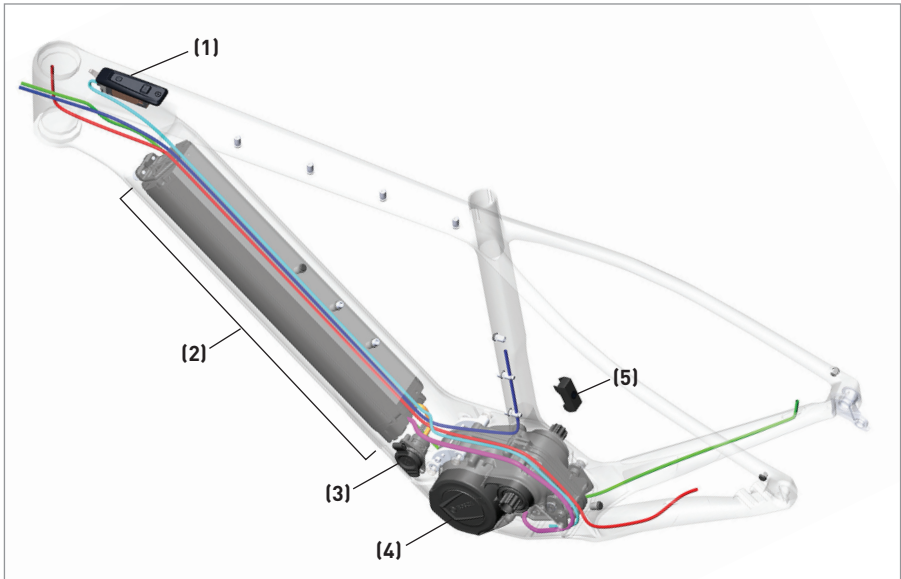


Figure 1

(1)	Bosch System Controller
(2)	Bosch PowerTube and Battery Adapter Assembly
(3)	Bosch Charge Port Assembly
(4)	Bosch Drive Unit
(5)	Bosch Rim Magnet Speed Sensor
Pink	Motor-to-Battery Cable
Orange	Charger-to-Battery Cable
Blue	Dropper Cable
Green	Shifter Cable
Red	Brake Cable
Teal	Controller Cable

## Charging the Battery and Battery Charge Level Indicators

**▲ WARNING:** Only use the designated Bosch Smart System charger to charge the ebike battery.

**▲ WARNING:** Avoid charging your ebike continuously for more than six consecutive hours, and always charge your bicycle or battery in a place where you have visual access to it so the charger can be disconnected if any source of danger is detected, such as smoke, strange smells, or fire.

**▲ WARNING:** Keep the battery charger clean and dry. Always check the charger, cable and plug before use. Stop using the charger if you discover any damage. Do not open the charger. Damaged chargers, cables, and plugs increase the risk of electric shock.

Note: The battery does not come fully charged and must be charged completely before the first use.

## Charging the Battery

1. Locate the rubber charge port cover on the non-drive side of your ebike, either on the seat tube or by the motor. Pull the press-fit cover away from the charging socket using the tab on the cover (Fig. 2).



Figure 2

2. Insert the charger power cable into the charger and plug the charger into a wall outlet. Then plug the charging cable into the charging socket on the ebike, ensuring that the plug pattern is aligned (Fig. 3).

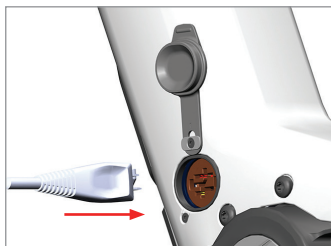


Figure 3

3. The LEDs on the top tube system controller will light up when the charger is connected.
4. If the ebike battery is being charged, the topmost bar on the battery charge level indicator flashes. When the battery is fully charged, remove the charging cable and replace the press fit charge socket cover. It will take roughly 5 ½ hours to charge a 625 Wh battery with the provided 4 amp charger.

## Battery Charge Indicators

The battery charge indicator is shown on the top tube LED controller. The battery charge is indicated by the five lights between the Power and Mode Selection buttons.

- Each blue bar represents 20% capacity, and each white bar represents 10% capacity. The topmost bar shows the maximum capacity.

Example: Four blue bars and one white bar are displayed. The state of charge is between 81% and 90%.

- If capacity is low, both lower display bars change color.

Bar capacity:

2 × orange = 30% to 21%

1 × orange = 20% to 11%

1 × red = 10% to reserve

1 × red flashing = reserve to empty

## Turning the System ON and OFF and Adjusting the Modes

### To Turn the Ebike System ON and OFF

Firmly press the power button located on the top of the system controller located on your top tube to turn the system ON and OFF (Fig. 4, #12).

### Assist Modes

The ebike system always starts with the assist mode OFF for drive units with a maximum speed of more than 20 mph. This is indicated when the Assist Mode LED indicator is off or unlit (Fig. 4, #10). This Bosch ebike is equipped with four assist modes to optimize the intended use of the ebike. There are many assist modes offered by Bosch, and Salsa has chosen the four we have found most useful for this bicycle. The Assist Mode LED Indicator will display as follows for each assist level:

Black / LED off = no assist

Green = first assist level

Blue = second assist level

Purple = third assist level

Red = maximum assist level

LEVEL	NOTES
<b>OFF</b>	Motor support is switched off, The ebike can just be moved by pedaling, as with a normal bicycle.
<b>ECO</b>	Effective support with maximum efficiency, for maximum range.
<b>TOUR</b>	Steady support, long range for touring.
<b>TOUR+</b>	Dynamic support for normal riding and biking sports.
<b>eMTB/ SPORT</b>	Optimal support whatever the terrain, rapid acceleration when starting from a standstill, improved dynamics and top performance.
<b>TURBO</b>	Maximum support even at a high cadence, for sport cycling.

### Changing Assist Modes

The ebike assist mode can be adjusted using the top tube system controller or the handlebar mini remote.

- To adjust the assist mode using the top tube system controller, press the 'Mode' button (Fig. 4, #14) to cycle through the assist modes in increasing assist order.
- To adjust the assist mode using the mini handlebar remote, press the 'Increase Assist Level' or 'Decrease Assist Level' buttons on the handlebar remote (Fig. 4, #4 or #6).



## System Controller/Mini Remote Product Features

All illustrations of bike parts except for the drive unit, on-board computer including operating unit, speed sensor and the corresponding holders are schematic and may differ on your ebike.

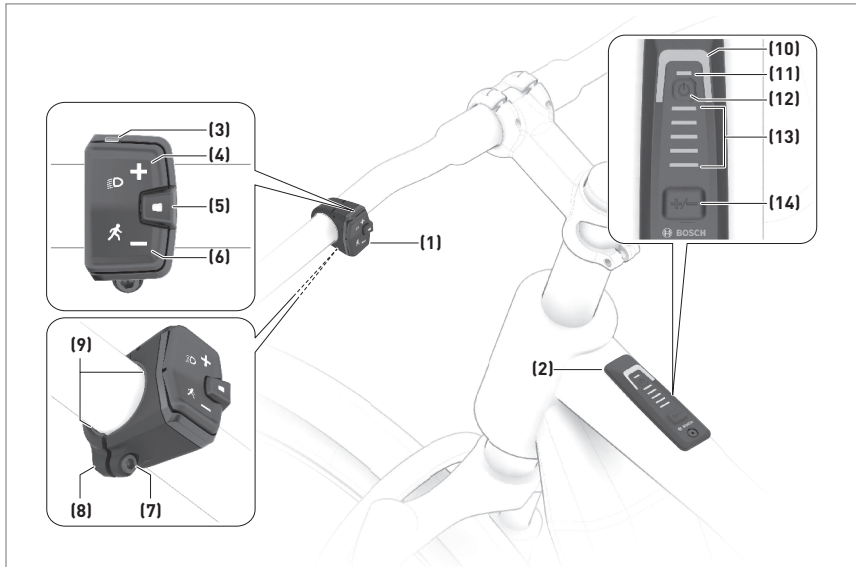


Figure 4 - System Controller/Mini Remote Product Features

(1)	Mini Remote Operating Unit (optional)
(2)	Control Unit System Controller
(3)	LED Indicator Lamp
(4)	Button for Increasing Support Level +/- Bike Lights
(5)	Select Button
(6)	Button for Decreasing Support Level -/ Walk Assistance
(7)	Fastening Screw for Holder
(8)	Holder
(9)	Rubber Insert / Battery Holder
(10)	Assistance Level LED
(11)	ABS LED (optional) / Ambient Light Sensor
(12)	On / Off Button
(13)	LEDs for Battery Charge Indicator
(14)	Mode Button

## Walk Mode

This mode provides electric assist while walking your ebike. To start walk assistance, press and hold the assist mode button for more than 1 second and keep it pressed (Fig. 4, #6). The battery charge indicator will go out, and a white light moving in the direction of travel will indicate that walk assistance is ready (Fig. 4, #13). To activate walk assistance, one of the following actions must occur within the next 10 seconds:

- Push the ebike forward
- Push the ebike backward
- Tilt the ebike sideways

After activation, the motor begins to push, and the continuously filling white bars change color to ice blue. If you release the assist mode button, walk assistance is paused. You can reactivate walk assistance within 10 seconds by holding the assist mode button. If you do not reactivate walk assistance within 10 seconds, walk assistance automatically switches off. Walk assistance has a roll-away lock, which means that even after successfully using walk assistance, the drive system actively brakes backward rolling for a few seconds, and you cannot push the ebike backwards or can only do so with difficulty. The push assistance function is subject to local regulations; and therefore may not be available on your ebike.

Walk assistance is always deactivated if:

- The assist mode button is released for longer than 10 seconds
- The rear wheel jams
- The bicycle cannot move over ridges
- A body part is blocking the bike crank
- An obstacle continues to turn the crank
- You start pedaling
- The (4) button or ON / OFF button (12) is pressed

## Transporting Your Ebike

Avoid transporting your bicycle outside your car when it is raining. All the Bosch pedal-assist system components have an IP54 water resistance rating that protects them against rain and splashes; however, the speed of your vehicle may increase the effects of the rain and damage the components.

The transportation of the internal Bosch battery and the external Range Extender battery should be in accordance with the transportation rules and regulations of this type of item. The units must always be transported or sent using the original certified packaging and a certified shipping company. Please find information regarding these conditions of transport from your country authority.

If the Range Extender or the internal battery must be sent to the original dealer for repair or diagnostics, it must be in the original certified packaging and sent a shipping company equipped for battery shipment. Salsa can inform you of the best option.

If you intend to travel with your ebike, research the transport conditions for batteries according to the airline you plan on using to transport your bicycle. Most commercial airlines do not permit transport of batteries with a capacity larger than 100 Wh.

## Storing Your Ebike

When not in use, store your ebike where it will be protected from the elements.

For an optimum service life, store the ebike battery at temperatures between 50°F and 68°F. Never store it at temperatures below 14°F or above 140°F.

The storage of your ebike outside these recommended temperature ranges may affect the battery cells and reduce their life and available range. When you are not going to use the battery for an extended period (longer than three months), store it at a state of charge of around 30% to 60% (when two to three of the LEDs on the battery charge indicator (3) are lit). Check the state of charge after six months. If only one of the LEDs on the battery charge indicator (3) is lit, charge the battery back up to around 30% to 60%.

Note: If the battery is stored with no charge for an extended time, it may become damaged despite the low self-discharge and the battery capacity could be significantly reduced. Leaving the battery permanently connected to the charger is not recommended.

## Maintenance

All Salsa products are designed to be both durable and easy to maintain. Take proper care of and regularly maintain your ebike to ensure long-lasting, safe, and enjoyable rides.

### Maintenance and Part Replacement in Our Ebikes

The Bosch ebike system must be serviced by an authorized Bosch service center.

Only use Bosch approved service parts. Do not open any of the ebike components.

For more specific information regarding the care and maintenance of this product please visit [www.salsacycles.com](http://www.salsacycles.com) or contact us at 1-800-877-668-6223.

### Cleaning Your Ebike

**▲ WARNING:** Always remove the internal battery before working on the bicycle.

Accidental activation of the drive system can result in serious injury.

Clean your ebike with a soft, damp cloth (using only mild soap and water). Do not wash your ebike with a pressure washer or submerge it or the electric system components.

All the pedal-assist system components have a water resistance rating that protects them against rain and splashes; however, the use of pressure washers may allow water to infiltrate into components and damage them.

Do not use metallic tools to clean the charging point of foreign objects or dirt. Be careful not to damage the terminals during this process.

### Inspecting Your Ebike

Do a quick check before each ride to make sure that your ebike is in good condition.

You might discover small problems that could turn into major issues during the ride.

Turn the bicycle on and check that the system is showing no errors. Ensure that the system assists normally and that all functions (assist level change, lights, etc.) work correctly.

Regularly check the connections and cables of the ebike system components.

The connections must be clean and free of debris and foreign objects. The cables must be in good condition and free of cuts, kinks, and bends that may cause short circuits and lack of electric assistance.

Verify the charging point cover is installed correctly to prevent dirt or water entering the port.

Verify the exterior of the controllers and batteries do not show signs of damage that may allow water and other elements to infiltrate them.

If you notice any damage to the components, contact your Salsa dealer for a professional diagnosis and / or replacement.

## Motor Removal

**▲ WARNING:** All Bosch components used on this Salsa Cycles ebike are part of the Bosch Smart System BES3. None of the components of the Bosch Smart System are compatible with previous Bosch ebike systems and vice versa. Disassembly and installation of ebike components requires advanced skill and knowledge of the system. Always go to a certified retailer for diagnosis, repair, and installation of ebike components on this bicycle. Damage to components resulting from incorrect installation could void warranty of the components or bicycle.

### Tools Required:

- Crank removal
- Park Tool LRT-1 lock ring removal tool
- Torx Plus TP-40 socket
- Torx T25 socket
- Socket wrench
- 3 mm hex wrench
- Torque wrench

### Directions

1. Use a 3 mm hex wrench to remove the bolts on the drive unit cover.
2. Disconnect the Bosch battery and system controller cables from the drive unit.
3. Remove the cranks using an ISIS crank puller, then remove the chainring spider using a Park Tool LRT-1 lockring tool for Bosch Gen 2 drive units.
4. Remove the motor bolts from the motor using a Torx Plus TP-40 socket and socket wrench. **CAUTION: the motor is heavy and will fall out once motor bolts are uninstalled.**
5. When reinstalling the motor, use the torque values listed in Figure 5.

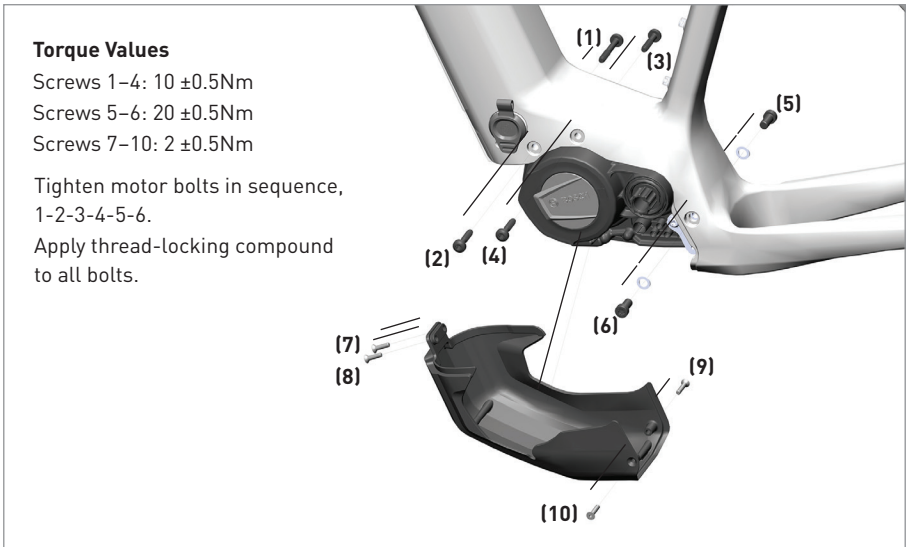


Figure 5

## Charge Port and Charge Port Cover Removal

**▲ WARNING:** All Bosch components used on this Salsa Cycles ebike are part of the Bosch Smart System BES3. None of the components of the Bosch Smart System are compatible with previous Bosch ebike systems and vice versa. Disassembly and Installation of ebike components requires advanced skill and knowledge of the system, always go to a certified retailer for diagnosis, repair and installation of ebike components on this bicycle. Damage to components resulting from incorrect installation could void warranty of the components or bicycle.

Note: The charge port cover can be removed and replaced without removing the motor. The motor must be removed in order to remove the charge port assembly. See motor removal section for instructions on removing motor.

### Charge Port Cover Removal Directions

The charge port cover was designed for tool-free removal.

1. Remove the charge port cover from the charging socket using the pull tab.
2. Rotate the charge port cover 90 degrees so the keyed hole at the end of the leash lines up with the captured washer.
3. Reverse steps to reinstall.

## Charge Port Assembly Removal

1. The motor must be removed prior to beginning this process. Remove the motor following the steps outlined in the previous section.
2. Disconnect the Bosch charge port cable from the battery.
3. Remove the T10 bolts holding the charge port assembly to the frame.
4. Remove the charge port assembly from the inside of the frame.

When reinstalling the charge port assembly, use the torque values in Figure 6.



Figure 6

## Internal Battery Removal

**▲ WARNING:** All Bosch components used on this Salsa Cycles ebike are part of the Bosch Smart System BES3. None of the components of the Bosch Smart System are compatible with previous Bosch ebike systems and vice versa. Disassembly and Installation of ebike components requires advanced skill and knowledge of the system, always go to a certified retailer for diagnosis, repair and installation of ebike components on this bicycle. Damage to components resulting from incorrect installation could void warranty of the components or bicycle.

Note: You must first uninstall the motor and charge port in order to remove the internal battery. See motor removal and charge port assembly removal sections for instructions on removing motor and charge port assembly.

### Tools Required:

- Torx T10, T15, T20, T25 sockets
- Torque wrench

### Directions

1. The motor and charge port assembly must be removed prior to beginning this process. Remove the motor and charge port assembly following the steps outlined in the previous section.
2. Once the motor has been taken out, remove the Bosch Battery Adapter 2 (BAD2) assembly from the bottom of the battery using a Torx T25 wrench. The fasteners are located on the bottom of the downtube.

3. After the BAD2 assembly has been removed, loosen the two Torx T25 screws located at the top of the downtube. Support the battery from the bottom as you remove the T25 screw. Caution: the battery is heavy and could fall out of the bottom of the downtube once the four fasteners are removed.
4. When reinstalling the battery assembly, use the torque values listed in Figure 7.

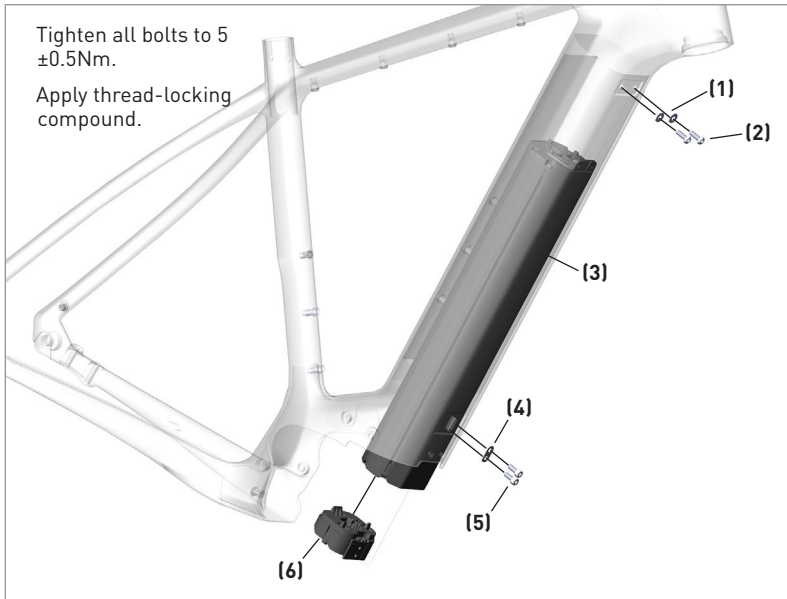


Figure 7

(1)	M5 washers
(2)	M5 BHCS
(3)	Bosch PowerTube
(4)	Double washer
(5)	M5 SHCS
(6)	Bosch BAD2 adapter

## Bosch Ebike Flow App

The Bosch Smart System Controller can be connected to the ebike Flow smartphone application. With this Bluetooth connected application you can see the detailed configuration of your ebike and customize many of the systems' settings. Additionally, the ebike Flow application will display error codes without needing to connect your ebike to a computer.

### Establishing a Smartphone Connection

In order to be able to use the following ebike functions, a smartphone with the ebike Flow app is required. Connection to the app occurs via a Bluetooth® connection.

1. Ensure that your smart device's Bluetooth is turned on.
2. Turn on your ebike.
3. Press and hold your ebike's ON / OFF button for at least three seconds.
4. Release the ON / OFF button when the lowest bar on the battery charge indicator flashes blue. This indicates the pairing process has begun.
5. Confirm the Bluetooth connection request in the ebike Flow app.

## Troubleshooting

### Error Codes

The ebike system's components are continuously and automatically monitored. If an error is detected, the corresponding error code is displayed on the on board computer as an orange light in the assist mode LED on the top tube system controller. Depending on the type of error, the bicycle may display an orange light in the assist mode LED on the top tube controller and continue functioning as normal or the drive system may be automatically shut down. Users may be able to troubleshoot errors using the Bosch ebike Flow app. Some non-critical errors may be temporarily cleared by pressing the select button on the mini remote (if equipped) or by clearing the error code in the Bosch ebike Flow mobile app.

Before undertaking any additional journeys, the ebike should be checked by an authorized dealer.

Code	Cause	Corrective Measure
540	Temperature error	The ebike is outside of the permissible temperature range. Switch off the ebike system and allow the drive unit to either cool down or heat up to the permissible temperature range. Restart the system. If the problem persists, contact your Bosch ebike dealer.
550	An impermissible load has been detected	Remove the load. Restart the system. If the problem persists, contact your Bosch ebike dealer.
580	Software version error	Restart the system. If the problem persists, contact your Bosch ebike dealer.
591	Authentication error	Switch off the ebike system. Remove the battery pack and reinsert it. Restart the system. If the problem persists, contact your Bosch ebike dealer.
592	Incompatible component	Use a compatible display. If the problem persists, contact your Bosch ebike dealer.
593	Configuration error	Restart the system. If the problem persists, contact your Bosch ebike dealer.
595, 596	Communication error	Check the wiring to the drive and restart the system. If the problem persists, contact your Bosch ebike dealer.
602	Internal battery fault	Restart the system. If the problem persists, contact your Bosch ebike dealer.
603	Internal battery fault	Restart the system. If the problem persists, contact your Bosch ebike dealer.
605	Battery temperature error	The battery is outside of the permissible temperature range. Switch off the ebike system and allow the battery to either cool down or heat up to the permissible temperature range. Restart the system. If the problem persists, contact your Bosch ebike dealer.



Code	Cause	Corrective Measure
606	External battery fault	Check the wiring. Restart the system. If the problem persists, contact your Bosch ebike dealer.
610	Battery voltage error	Restart the system. If the problem persists, contact your Bosch ebike dealer.
620	Charger fault	Replace the charger. Contact your Bosch ebike dealer.
640	Internal battery fault	Restart the system. If the problem persists, contact your Bosch ebike dealer.
655	Multiple battery faults	Switch off the ebike system. Remove the battery pack and reinsert it. Restart the system. If the problem persists, contact your Bosch ebike dealer.
656	Software version error	Contact your Bosch ebike dealer so that they can perform a software update.
7xx	Error relating to third-party components	Observe the information in the operating instructions of the respective component manufacturer.
800	Internal ABS fault	Contact your Bosch ebike dealer.
810	Implausible signals from the wheel speed sensor	Contact your Bosch ebike dealer.
820	Fault in the wire to the front wheel speed sensor	Contact your Bosch ebike dealer.
821 to 826	Implausible signals from the front wheel speed sensor. The sensor disc may be missing, defective or fitted incorrectly; there is a significant difference in diameter between the front wheel and the rear wheel; extreme riding situation, e.g. riding solely on the rear wheel	Restart the system and carry out a test ride lasting at least two minutes. The ABS indicator light must go out. If the problem persists, contact your Bosch ebike dealer.
830	Fault in the wire to the rear wheel speed sensor	Contact your Bosch ebike dealer.
831 833 to 835	Implausible signals from the rear wheel speed sensor. The sensor disc may be missing, defective or fitted incorrectly; there is a significant difference in diameter between the front wheel and the rear wheel; extreme riding situation, e.g. riding solely on the rear wheel	Restart the system and carry out a test ride lasting at least two minutes. The ABS indicator light must go out. If the problem persists, contact your Bosch ebike dealer.
840	Internal ABS fault	Contact your Bosch ebike dealer.
850	Internal ABS fault	Contact your Bosch ebike dealer.
860, 861	Fault in the power supply	Restart the system. If the problem persists, contact your Bosch ebike dealer.
870, 871, 880 883 to 885	Communication error	Restart the system. If the problem persists, contact your Bosch ebike dealer.
889	Internal ABS fault	Contact your Bosch ebike dealer.
890	ABS indicator light is defective or missing; ABS may not be working	Contact your Bosch ebike dealer.
No display	Internal fault of the on-board computer	Restart your ebike system by switching it off and back on.

# Warranty

## Salsa Warranty

This product is warranted against defects in materials and workmanship for the period stated on [www.salsacycles.com](http://www.salsacycles.com) and the product page from the date of retail purchase of the product, subject to the limitations below. Save your dated receipt for proof of purchase.

This warranty does NOT cover the following:

- Damage due to improper assembly or follow-up maintenance or lack of skill, competence or experience of the user or assembler
- Products that have been modified, neglected, used in competition or for commercial purposes, misused or abused, involved in accidents or anything other than normal use
- Installation of components, parts or accessories not originally intended for or compatible with product as sold
- Damage or deterioration to the paint, surface finish, aesthetics or appearance of the product
- Normal wear and tear
- Labor required to remove and/or refit and re-adjust the product within the bicycle assembly

This limited warranty is expressly limited to the repair or replacement of the original product, at the option of Salsa, and is the sole remedy of the warranty. This limited warranty applies only to the original purchaser of the Salsa product and is not transferable. This warranty applies only to products purchased through an authorized dealer or distributor. In no event shall Salsa be liable for any loss, inconvenience or damage, whether direct, incidental, consequential, or otherwise resulting from breach of any express or implied warranty or condition, of merchantability, fitness for a particular purpose, or otherwise with respect to Salsa products except as set forth herein.

This warranty gives the consumer specific legal rights, and those rights and other rights may vary from place to place. This warranty does not affect your statutory rights.

TO THE EXTENT NOT PROHIBITED BY LAW, THESE WARRANTIES ARE EXCLUSIVE AND THERE ARE NO OTHER EXPRESS OR IMPLIED WARRANTIES OR CONDITIONS INCLUDING WARRANTIES OR CONDITIONS OF MERCHANTABILITY AND FITNESS FOR A PARTICULAR PURPOSE.

Warranty Registration: Proof of purchase is required before a warranty claim is processed. Salsa therefore strongly encourages warranty registration at [salsacycles.com](http://salsacycles.com). Failure to register will not affect consumer rights under the limited warranty stated above, so long as the consumer can show in a reasonable manner proof of original ownership and the date the Salsa product was purchased. If you have any questions, contact [warranty@salsacycles.com](mailto:warranty@salsacycles.com). Submitting a Claim can be made anywhere Salsa products are sold. When in doubt, contact your local shop. Please provide details about what happened including but not limited to other components used in conjunction with the alleged defective Salsa part.

NOTE: The term of the Warranty is not a guarantee of the product's useful life. Product life is influenced by how the product is used, stored, and maintained over time. The Warranty is not meant to suggest the product cannot be broken or that the product will last forever. The Warranty only means the product is covered subject to the terms of the Warranty.

# TABLE DES MATIÈRES

## Guide de démarrage rapide

- Schéma du système ..... 20
- Charger la batterie ..... 21
- Indicateurs de charge de la batterie ..... 21
- Allumer et éteindre le système ..... 22
- Modes d'assistance ..... 22
- Commande du système/mini-commande..... 23

## Ranger et transporter le vélo électrique ..... 24

### Entretien

- Nettoyage de votre vélo électrique..... 25
- Retrait du moteur ..... 26
- Retrait du port de charge et du capuchon du port de charge..... 27
- Retrait de la batterie interne..... 28

## Application eBike Flow de Bosch ..... 29

### Dépannage

- Code d'erreur carte routière ..... 30

## Garantie..... 32

Chez Salsa, nous sommes convaincus que l'aventure embellit la vie. Avec nos produits, roulez vers de nouveaux horizons, faites de nouvelles rencontres, accomplissez des choses extraordinaires et vivez des expériences inoubliables.

Nous vous remercions pour votre achat. Nous espérons qu'il vous apportera une expérience de vélo encore meilleure!

Salsa. Adventure by Bike.®

Ce manuel contient des renseignements importants sur la sécurité, le fonctionnement et l'entretien du vélo électrique. Lisez-le avant de sortir pour la première fois avec votre nouveau vélo électrique et conservez-le pour future référence.

Des renseignements supplémentaires peuvent également être disponibles sur la sécurité, le fonctionnement et l'entretien de composants spécifiques de votre vélo ou concernant certains accessoires tels que les casques ou l'éclairage que vous avez achetés. Assurez-vous que votre revendeur vous a fourni tous les documents du fabricant qui étaient inclus avec votre vélo ou vos accessoires. S'il y a disparité entre les instructions contenues dans ce manuel et l'information fournie par un fabricant d'accessoires, suivez toujours les instructions du fabricant d'accessoires. Si vous avez une question ou s'il y a quelque chose que vous ne comprenez pas, prenez votre sécurité en charge en consultant le revendeur ou le fabricant de votre vélo.

Votre vélo Salsa est équipé d'un système d'assistance électrique au pédalage. Sachez que lorsque le système d'assistance est mis sous tension (ON), le moteur ne s'engage que lorsque vous pédalez. De même lorsque le système d'assistance est mis hors tension (OFF), le vélo électrique fonctionne comme n'importe quel vélo non motorisé.

La puissance fournie dépend de votre force de pédalage et du mode d'assistance que vous réglez avec l'unité de commande au guidon. Lorsque vous arrêtez de pédaler, l'assistance au pédalage se désengage. L'assistance au pédalage diminue à l'approche de 45 km/h, 28 mi/h (20 mph/32 kph pour moteur CX) et s'arrête à toute vitesse supérieure à ce plafond.

Avant votre première longue sortie, prenez le temps de vous entraîner dans un endroit sans danger et d'apprendre les commandes jusqu'à ce que vous ayez confiance en votre pilotage et que vous puissiez vous concentrer sur le parcours.

## **Avertissements concernant l'utilisation du vélo**

**▲ AVERTISSEMENT :** Il est de votre responsabilité de connaître et de respecter toutes les lois et réglementations locales. Les lois sur les VAE peuvent varier d'une ville et d'une province à l'autre, il se peut que vous ayez besoin d'installer des équipements supplémentaires sur votre vélo pour vous conformer aux lois locales. N'utilisez votre vélo électrique qu'en accord avec les lois locales en vigueur. N'utilisez pas votre vélo tant que tous les réflecteurs, l'éclairage et autres dispositifs de sécurité requis localement n'ont pas été installés par un vélociste. Une licence ou un permis spécial peut être obligatoire.

**▲ AVERTISSEMENT :** Ne tentez pas de modifier votre vélo électrique, en particulier la vitesse maximale à laquelle il est autorisé à rouler. Cela peut vous mettre en danger, ainsi qu'autrui; vous pourriez également vous trouver en infraction avec la loi. N'apportez aucune modification au système du vélo électrique et n'installez pas d'autres produits qui pourraient augmenter ses performances. Évitez d'utiliser votre vélo électrique dans des conditions météorologiques extrêmes. Tous les composants du système d'assistance au pédalage du VAE ont un indice de résistance à l'eau qui les protège contre la pluie et les éclaboussures; toutefois, des conditions météorologiques extrêmes peuvent endommager les composants.

Ne laissez pas votre vélo exposé à des températures élevées pendant de longues périodes. Cela risquerait d'endommager les composants. Respectez les plages de température recommandées pour l'utilisation (décharge), la charge et le rangement de votre vélo électrique telles que définies par le fabricant. L'utilisation, la charge et le rangement de votre vélo électrique en dehors de ces plages de température recommandées peuvent endommager les cellules de la batterie et réduire leur durée de vie et l'autonomie disponible.

## **Prenez le temps de vous familiariser avec votre nouveau vélo électrique**

Votre vélo électrique vous semblera à la fois familier et une toute nouvelle expérience. Prenez le temps de comprendre comment votre VAE fonctionne dans un endroit sans danger, loin des voitures et de tout obstacle. Commencez lentement et essayez les différentes fonctions des modes d'assistance du système d'entraînement du vélo électrique, ainsi que les systèmes de freinage, de changement de vitesse et de suspension dont votre vélo électrique peut être équipé. Votre VAE peut vous sembler plus rapide et plus lourd qu'un vélo normal. Ralentir peut prendre plus de temps et de force, assurez-vous de vous donner plus de temps pour freiner, surtout si ce système est nouveau pour vous.

En plus d'avoir besoin de plus de temps pour ralentir à cause de la vitesse qu'un vélo électrique peut atteindre, les automobilistes avec qui vous partagez la route ne s'attendent vraisemblablement pas à ce qu'une personne à vélo se déplace aussi vite que vous sur un VAE. À vélo, restez attentif lorsque vous vous mêlez à la circulation et lorsque vous approchez une intersection.

Les règles de la circulation et de bienséance à vélo restent les mêmes pour les vélos électriques. Des groupes de défense des cycles tels que le PeopleForBikes et l'Association internationale du vélo de montagne possèdent d'excellentes ressources qui vous permettront de trouver la plus récente documentation en matière d'éducation, de bienséance et de règles à respecter en lien avec les vélos à assistance électrique.

## **Points à prendre en compte lorsque vous roulez**

- Ne touchez pas le boîtier du moteur pendant ou immédiatement après un parcours car celui-ci risque d'être chaud.
- Pour faciliter le changement de vitesse et réduire l'usure du groupe motopropulseur, réduisez votre force de pédalage ou arrêtez brièvement de pédaler pendant que vous changez de vitesse.
- Prêtez attention aux facteurs qui influencent l'autonomie de la batterie du VAE, notamment :
  - Niveau d'assistance
  - Vitesse
  - Choix de la vitesse
  - Type de pneus et pression d'air des pneus
  - Vieillesse de la batterie
  - Dénivelé du parcours
  - Direction du vent et température ambiante
  - Surface du sol
  - Poids du VAE, du cycliste et des bagages

## Schéma du système

Le système d'assistance électrique au pédalage de Bosch est constitué d'un moteur central (au niveau du pédalier), d'une batterie, d'une commande du système et de divers composants électriques (harnais pour les câbles, capteurs et interrupteurs).

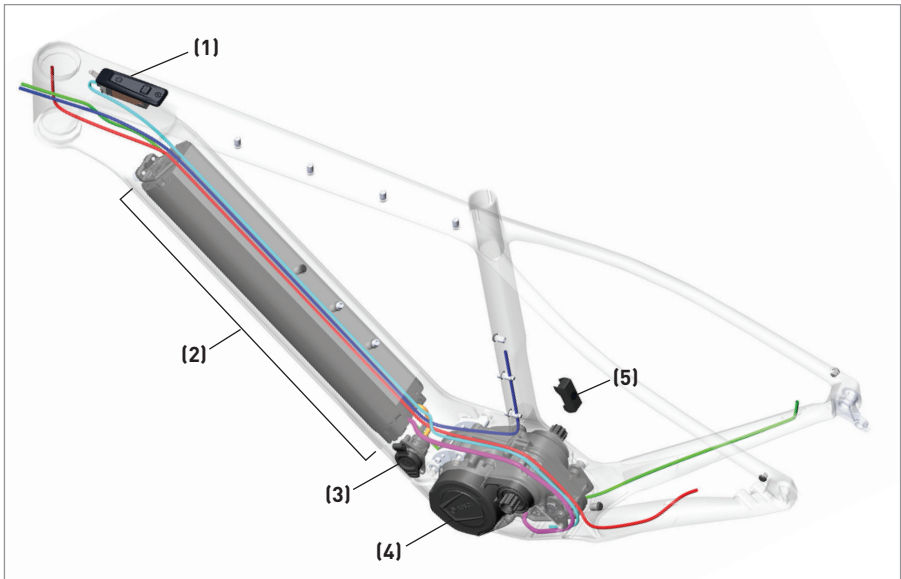


Figure 1

(1)	Système de commande de Bosch
(2)	PowerTube et assemblage de l'adaptateur de batterie Bosch
(3)	Assemblage du port de charge Bosch
(4)	Moteur Bosch
(5)	Aimant de jante capteur de vitesse Bosch
Rose	Câble moteur vers batterie
Orange	Câble chargeur vers batterie
Bleu	Câble de la tige de selle télescopique
Vert	Câble de la manette de dérailleur
Rouge	Câble de frein
Bleu sarcelle	Câble de la commande

## Charger la batterie et indicateurs de niveau de charge de la batterie

**▲ AVERTISSEMENT :** N'utilisez que le chargeur pour le système intelligent que Bosch a prévu pour charger la batterie du vélo électrique.

**▲ AVERTISSEMENT :** Évitez de charger votre vélo électrique en continu pendant plus de six heures consécutives. Chargez toujours votre vélo ou votre batterie dans un endroit où vous pouvez les voir afin de pouvoir débrancher le chargeur si une source de danger est détectée, comme de la fumée, des odeurs étranges ou un incendie.

**▲ AVERTISSEMENT :** Gardez le chargeur de la batterie propre et sec. Vérifiez toujours le chargeur, le câble et la prise avant utilisation. Arrêtez d'utiliser le chargeur si vous découvrez un dommage quelconque. N'ouvrez pas le chargeur. Des chargeurs, câbles ou fiches endommagés augmentent le risque de choc électrique.

Remarque : Lorsqu'elle est livrée, la batterie n'est pas entièrement chargée, il faut que vous la chargiez entièrement avant de l'utiliser pour la première fois.

## Charger la batterie

1. Trouvez le capuchon en caoutchouc du port de charge sur le côté non moteur du vélo électrique, soit sur le tube de la selle soit près du moteur. Tirez sur la languette du capuchon press-fit pour l'ouvrir et avoir accès au port de charge (figure 2).



Figure 2

2. Insérez le câble d'alimentation du chargeur dans le chargeur et branchez le chargeur sur une prise de courant murale. Puis branchez le câble de charge sur le port de charge sur le vélo électrique, en vous assurant d'aligner le motif du connecteur mâle sur celui de la prise (figure 3).

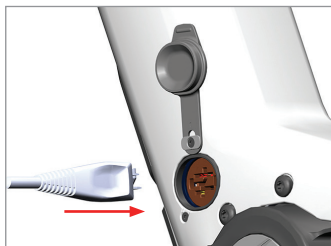


Figure 3

3. Les voyants lumineux de la commande du système sur le tube supérieur s'allument lorsque le chargeur est connecté.
4. Si la batterie du vélo électrique est en train de charger, la barre supérieure de l'indicateur de niveau de la batterie clignote. Une fois la batterie complètement chargée, retirez le câble de charge et refermez le capuchon press-fit du port de charge. Il faudra environ 5 heures et demie pour charger une batterie de 625 Wh avec le chargeur de 4 A fourni.

## Indicateurs de charge de la batterie

L'indicateur de charge de la batterie se trouve sur la commande à DEL du système sur le tube supérieur. La charge de la batterie est indiquée par cinq voyants lumineux situés entre les boutons Marche et sélection du Mode.

- Chaque barre bleue correspond à 20 % de capacité et chaque barre blanche à 10 %. La barre supérieure correspond à la capacité maximale.

Exemple : Quatre barres bleues et une barre blanche sont affichées. La charge se situe donc entre 81 et 90 %.

- Si la capacité de la batterie est faible, les deux barres inférieures changent de couleur.  
Capacité des barres :  
2 × orange = 30 à 21 %  
1 × orange = 20 à 11 %  
1 × rouge = 10 % de réserve  
1 × rouge clignotante = réserve à vide

## Allumer et éteindre le système et réglages des modes

### Pour allumer et éteindre le système du vélo électrique

Pour allumer et éteindre le système, appuyez fermement sur le bouton Marche situé sur le dessus de la commande du système placé sur le tube supérieur (figure 4, n° 12).

### Modes d'assistance

Pour les moteurs dont la vitesse maximale est supérieure à 20 mi/h, le système du vélo électrique démarre toujours avec le mode d'assistance éteint (OFF). Vous saurez que le mode n'est pas activé car le voyant lumineux du mode d'assistance est éteint, ou non allumé (figure 4, n° 10). Ce vélo électrique Bosch possède quatre modes d'assistance afin d'optimiser l'utilisation prévue du vélo. Bosch offre de nombreux modes d'assistance au pédalage et Salsa a choisi les quatre que nous avons trouvés les plus utiles pour ce vélo. L'affichage lumineux du mode d'assistance se décline comme suit selon le niveau d'assistance :

Noir ou voyant éteint = aucune assistance au pédalage

Vert = niveau d'assistance 1

Bleu = niveau d'assistance 2

Pourpre = niveau d'assistance 3

Rouge = niveau d'assistance maximal

NIVEAU	NOTES
<b>OFF (éteint)</b>	L'assistance moteur est désactivée. Le vélo électrique ne peut être déplacé qu'en pédalant, à l'instar d'un vélo normal.
<b>ECO</b>	Assistance efficace avec une efficacité maximale, pour une autonomie maximale.
<b>TOUR</b>	Assistance continue, longue distance pour la randonnée.
<b>TOUR+</b>	Assistance dynamique pour des parcours normaux et les sports de vélo
<b>eMTB/SPORT</b>	Une assistance optimale quel que soit le terrain, une accélération rapide au démarrage, une dynamique améliorée et des performances de haut niveau.
<b>TURBO</b>	Assistance maximale même à une cadence élevée, pour le cyclisme sportif.

### Changer les modes d'assistance

Le mode d'assistance au pédalage peut être réglé à l'aide de la commande du système sur le tube supérieur ou à l'aide de la mini-commande sur le guidon.

- Pour régler le mode d'assistance à l'aide de la commande du système sur le tube supérieur, appuyez sur le bouton « Mode » (figure 4, n° 14) pour faire défiler les modes d'assistance en ordre croissant d'assistance.
- Pour régler le mode d'assistance à l'aide de la mini-commande déportée, appuyez sur les boutons « Augmenter le niveau d'assistance » (Increase Assist Level) ou « Diminuer le niveau d'assistance » (Decrease Assist Level) (figure 4, nos 4 et 6).



## Caractéristiques de la commande du système et de la mini-commande

Toutes les illustrations des pièces du vélo, à l'exception du moteur, de l'ordinateur de bord, y compris l'unité de commande, du capteur de vitesse et des supports correspondants, sont schématiques et peuvent différer sur votre vélo électrique.

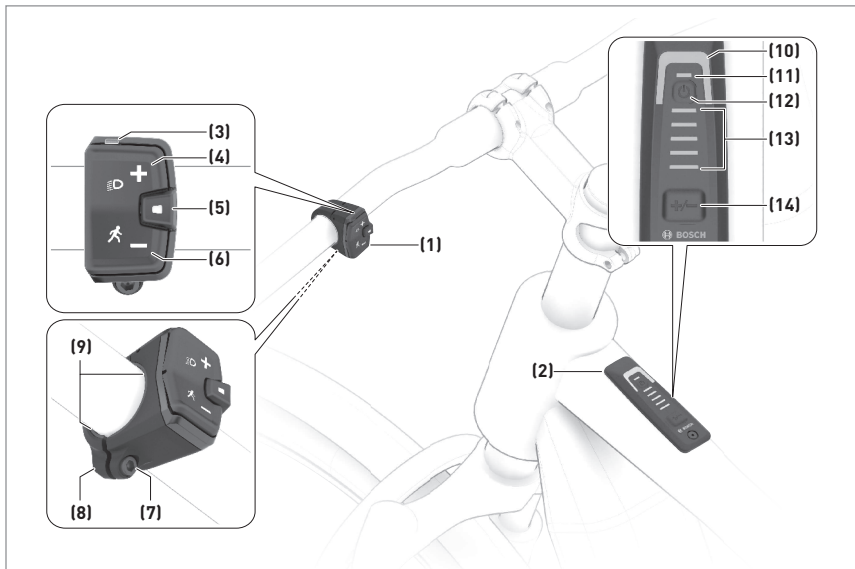


Figure 4 - Caractéristiques de la commande du système et de la mini-commande

(1)	Unité de la mini-commande déportée (facultative)
(2)	Unité de la commande du système
(3)	Voyant lumineux de l'éclairage
(4)	Bouton pour augmenter le niveau d'assistance +/ Éclairage du vélo
(5)	Bouton de sélection
(6)	Bouton pour diminuer le niveau d'assistance -/ Assistance à la marche
(7)	Vis de fixation du support
(8)	Support
(9)	Insert en caoutchouc / Support de la batterie
(10)	Voyant du niveau d'assistance
(11)	Témoin ABS (facultatif) / Capteur de lumière ambiante
(12)	Bouton Marche/Arrêt
(13)	Voyants de l'indicateur de charge de la batterie
(14)	Bouton Mode

## Mode d'assistance à la marche

Ce mode vous fournit une assistance électrique qui vous aide à pousser le vélo lorsque vous marchez à côté de ce dernier. Pour lancer le mode d'assistance à la marche, appuyez sur le bouton de mode d'assistance à la marche pendant plus de une seconde et maintenez-le enfoncé (figure 4, n° 6). L'indicateur de charge de la batterie s'éteindra et une ligne blanche bougeant dans la direction où vous allez indiquera que l'assistance à la marche est prête (figure 4, n° 13). Pour activer l'assistance à la marche, il vous faut faire une des actions suivantes dans les 10 secondes qui suivent :

- Poussez le vélo électrique vers l'avant
- Poussez le vélo électrique vers l'arrière
- Inclinez le vélo électrique sur le côté

Une fois l'assistance à la marche activée, le moteur commence à pousser et les barres blanches qui se remplissent en continu passent à une couleur bleu glacier. Si vous relâchez le bouton d'assistance à la marche, l'assistance sera mise en pause. Vous pouvez la réactiver dans les 10 secondes en maintenant appuyé le bouton d'assistance à la marche. Si vous ne la réactivez pas dans les 10 secondes, elle s'interrompra. L'assistance à la marche dispose d'une fonction d'aide anti-recul (Hill Hold), en d'autres mots, après avoir utilisé l'assistance à la marche, le moteur empêche activement la marche arrière pendant quelques secondes, vous empêchant de pousser le VAE vers l'arrière ou avec beaucoup de difficulté. La fonction d'assistance à la marche est sujette aux réglementations locales et par conséquent n'est peut-être pas disponible sur votre VAE.

L'assistance à la marche est toujours désactivée si :

- Le bouton d'assistance à la marche est relâché pendant plus de 10 secondes
- La roue arrière se bloque
- Le vélo ne peut pas passer par-dessus des crêtes
- Une partie du corps bloque la manivelle du vélo
- Un obstacle continue de faire tourner la manivelle
- Vous commencez à pédaler
- Vous appuyez sur le bouton Moteur (4) ou le bouton Marche/Arrêt (12)

## Transporter votre VAE

Évitez de transporter votre vélo sur votre voiture lorsqu'il pleut. Tous les composants du système d'assistance au pédalage de Bosch ont un indice de résistance à l'eau de IP54 qui les protège contre la pluie et les éclaboussures; cependant, la vitesse de votre véhicule peut augmenter les effets de la pluie et endommager les composants.

Le transport de la batterie interne Bosch et du prolongateur d'autonomie (batterie externe) doit s'effectuer en conformité avec le règlement concernant le transport de ce type d'article. Les unités doivent toujours être transportées ou envoyées en utilisant l'emballage d'origine certifié ainsi qu'une société d'expédition certifiée. Veuillez trouver les renseignements concernant ces conditions de transport auprès des autorités de votre pays.

Si le prolongateur d'autonomie ou la batterie interne doivent être envoyés au revendeur d'origine pour réparation ou diagnostic, ils doivent être placés dans l'emballage d'origine certifié et envoyés par l'intermédiaire d'une société de transport équipée pour l'expédition de batteries. Salsa peut vous indiquer la meilleure option.

Si vous avez l'intention de voyager avec votre vélo électrique, renseignez-vous sur les conditions de transport des batteries en fonction de la compagnie aérienne que vous comptez utiliser pour transporter votre vélo. La majorité des compagnies aériennes commerciales n'autorisent pas le transport de batteries d'une capacité supérieure à 100 Wh.

## Entreposage de votre vélo électrique

Lorsque votre vélo n'est pas utilisé, entreposez-le à l'abri des éléments.

La plage de température d'entreposage recommandée pour votre vélo électrique est comprise entre 50 et 68 °F. Ne le conservez jamais à des températures inférieures à 14 °F ou supérieures à 140 °F.

L'entreposage de votre vélo électrique en dehors de ces plages de température recommandées peut endommager les cellules de la batterie et réduire leur durée de vie et l'autonomie disponible. Si vous prévoyez de ne pas utiliser la batterie pendant une période prolongée (plus de trois mois), entreposez-la chargée entre 30 et 60 % (c'est-à-dire lorsque deux à trois voyants de l'indicateur de niveau de la batterie (3) sont allumés). Vérifiez l'état de charge après six mois. Si seulement un des voyants de l'indicateur de charge de la batterie (3) est allumé, rechargez la batterie entre 30 et 60 %.

Remarque : si la batterie est stockée sans charge pendant une période prolongée, elle risque d'être endommagée malgré la faible autodécharge; de plus, sa capacité pourrait être considérablement réduite. Il n'est pas recommandé de laisser en permanence la batterie connectée au chargeur.

## Entretien

Tous les produits Salsa sont conçus pour être à la fois durables et faciles à entretenir. Prenez soin de votre vélo électrique et entretenez-le régulièrement pour garantir de nombreux parcours sûrs et agréables.

### Entretien et pièces de rechange de nos vélos électriques

Le système du vélo électrique Bosch doit être entretenu par un centre de service agréé Bosch. N'utilisez que des pièces de rechange approuvées par Bosch. N'ouvrez aucun des composants du vélo électrique. Pour des renseignements plus spécifiques concernant l'entretien et la maintenance de ce produit, veuillez consulter le site [www.salsacycles.com](http://www.salsacycles.com) ou nous appeler au 1-800-877-668-6223.

### Nettoyage de votre vélo électrique

**▲ AVERTISSEMENT :** Retirez toujours la batterie avant de travailler sur le vélo. L'activation accidentelle du moteur peut entraîner des blessures graves.

Nettoyez votre vélo avec un chiffon doux et humide (en utilisant uniquement de l'eau et du savon doux). Ne lavez pas votre vélo avec un nettoyeur haute pression et ne l'immergez pas, ni les composants du système électrique. Tous les composants du système d'assistance au pédalage ont un indice de résistance à l'eau de IP54 qui les protège contre la pluie et les éclaboussures; toutefois, l'utilisation de nettoyeurs haute pression peut permettre à l'eau de s'infiltrer dans les composants et de les endommager.

N'utilisez pas d'outils métalliques pour débarrasser le port de charge de tout objet étranger ou de toute saleté. Veillez à ne pas endommager les bornes pendant cette opération.

### Inspection de votre vélo électrique

Effectuez une vérification rapide avant chaque parcours pour vous assurer que votre vélo électrique se trouve dans des conditions de fonctionnement optimales. Vous pourriez découvrir de petits problèmes qui pourraient se transformer en problèmes majeurs au cours de la sortie.

Mettez le vélo sous tension et vérifiez que le système n'affiche aucune erreur. Assurez-vous que le système d'assistance fonctionne normalement et que toutes les fonctions (changement de niveau d'assistance, l'éclairage, etc.) fonctionnent correctement.

Vérifiez régulièrement les connexions et les câbles des composants du système du vélo électrique. Les connexions doivent être propres et exemptes de débris et de corps étrangers. Les câbles doivent être en bon état et exempts de coupures, de déformations et de soudures qui peuvent provoquer des courts-circuits et un manque d'assistance électrique.

Vérifiez que le capuchon du port de charge est correctement installé pour éviter que des saletés ou de l'eau ne s'infiltrent dans le port.

Vérifiez que l'extérieur des commandes et des batteries ne présente pas de signes de dommages qui pourraient permettre à l'eau et à d'autres éléments de s'y infiltrer.

Si vous constatez qu'un composant est endommagé, prenez contact avec votre revendeur Salsa pour un diagnostic professionnel et/ou un remplacement.

## Retrait du moteur

**▲ AVERTISSEMENT :** Tous les composants Bosch utilisés sur ce vélo électrique Salsa Cycles font partie du Smart System BES3 de Bosch. Aucun des composants du système intelligent de Bosch n'est compatible avec les systèmes précédents de VAE Bosch et vice-versa.

Le démontage et le montage des composants d'un VAE demandent une compétence et une connaissance avancées du système. Toujours se rendre chez un revendeur certifié pour obtenir un diagnostic, pour les réparations ou le montage de composants de VAE sur ce vélo. Un endommagement des composants résultant d'un montage incorrect risque d'annuler la garantie des composants ou du vélo.

### Outils nécessaires :

- Extracteur de manivelle
- Outil de retrait de la bague de blocage LRT-1 de ParkTool
- Douille Torx Plus TP-40
- Douille Torx T25
- Clé à douille
- Clé hexagonale de 3 mm
- Clé dynamométrique

### Instructions

1. Utilisez la clé hexagonale de 3 mm pour retirer les vis du cache moteur.
2. Débranchez la batterie et les câbles du système de commande Bosch du moteur.
3. Retirez les manivelles à l'aide d'un extracteur de manivelle ISIS, puis retirez l'étoile du plateau à l'aide de l'outil de retrait de la bague de blocage LRT-1 de ParkTool pour les moteurs Bosch Gen 2.
4. Retirez les vis du moteur à l'aide d'une douille Torx Plus TP-40 et d'une clé à douille.  
**ATTENTION : Le moteur est lourd et tombera dès que les vis le tenant seront enlevées.**
5. Lors du remontage du moteur, utilisez les valeurs de couple indiquées à la figure 5.

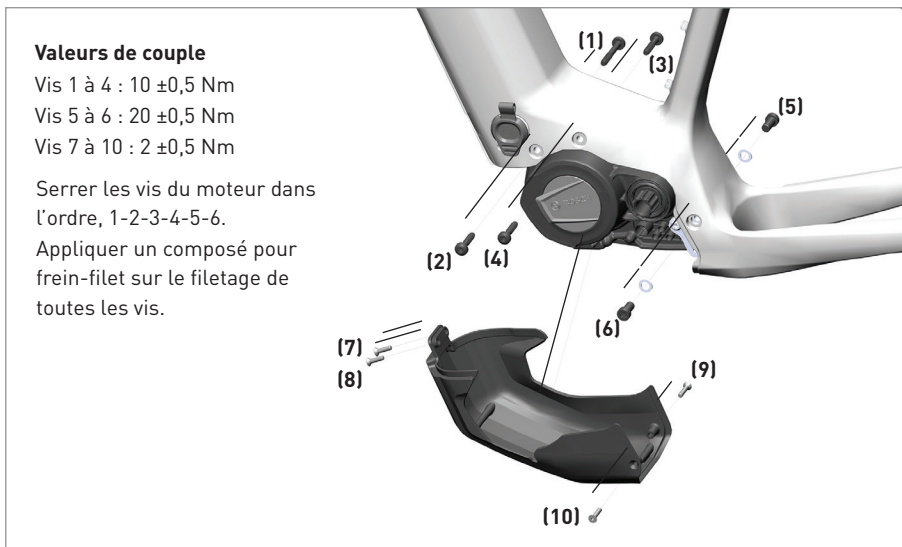


Figure 5

## Retrait du port de charge et du capuchon du port de charge

**▲ AVERTISSEMENT :** Tous les composants Bosch utilisés sur ce vélo électrique Salsa Cycles font partie du Smart System BES3 de Bosch. Aucun des composants du système intelligent de Bosch n'est compatible avec les systèmes précédents de VAE Bosch et vice-versa.

Le démontage et le montage des composants d'un VAE demandent une compétence et une connaissance avancées du système; toujours se rendre chez un revendeur certifié pour obtenir un diagnostic, pour les réparations ou le montage de composants de VAE sur ce vélo. Un endommagement des composants résultant d'un montage incorrect risque d'annuler la garantie des composants ou du vélo.

Remarque : Le capuchon du port de charge peut être enlevé et remplacé sans retirer le moteur. Le moteur doit être retiré afin de retirer l'assemblage du port de recharge. Consultez la section sur le retrait du moteur pour les instructions de retrait du moteur.

### Directions pour le retrait du capuchon du port de charge

Le port de charge a été conçu pour être retiré sans avoir besoin d'un outil.

1. Retirez le capuchon du port de charge à l'aide de la languette.
2. Faites pivoter le capuchon du port de charge de 90 degrés de manière que le trou clavé à l'extrémité de la laisse soit aligné sur la rondelle capturée.
3. Pour le remonter, effectuez les étapes en sens inverse.

## Retrait de l'assemblage du port de recharge

1. Le moteur doit être retiré avant de commencer. Retirez le moteur en suivant les étapes soulignées dans la section précédente.
2. Débranchez le câble du port de charge Bosch de la batterie.
3. Retirez les vis T10 qui maintiennent l'assemblage du port de charge au cadre.
4. Retirez l'assemblage du port de charge de l'intérieur du cadre.

Lorsque vous remontez l'assemblage du port de charge, utilisez les valeurs de couple indiquées à la figure 6.

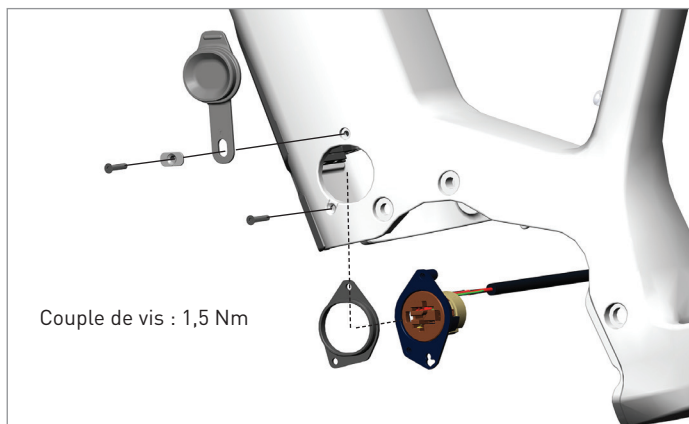


Figure 6

## Retrait de la batterie interne

**▲ AVERTISSEMENT :** Tous les composants Bosch utilisés sur ce vélo électrique Salsa Cycles font partie du Smart System BES3 de Bosch. Aucun des composants du système intelligent de Bosch n'est compatible avec les systèmes précédents de VAE Bosch et vice-versa.

Le démontage et le montage des composants d'un VAE demandent une compétence et une connaissance avancées du système; toujours se rendre chez un revendeur certifié pour obtenir un diagnostic, pour les réparations ou le montage de composants de VAE sur ce vélo. Un endommagement des composants résultant d'un montage incorrect risque d'annuler la garantie des composants ou du vélo.

Remarque : Vous devez d'abord enlever le moteur et le port de charge afin de retirer la batterie interne. Consultez les sections relatives au retrait du moteur et au retrait de l'assemblage du port de charge pour les instructions sur le retrait du moteur et de l'assemblage du port de charge.

### Outils nécessaires :

- Douilles Torx T10, T15, T20, T25
- Clé dynamométrique

### Instructions

1. Le moteur et l'assemblage du port de charge doivent être retirés avant de commencer. Retirez le moteur et l'assemblage du port de charge en suivant les étapes soulignées dans la section précédente.
2. Une fois le moteur retiré, retirez l'assemblage de l'adaptateur de batterie 2 Bosch (Bosch Battery Adapter 2 ou BAD2) du bas de la batterie à l'aide d'une clé Torx T25. Les fixations se situent en bas du tube oblique.

3. Une fois l'assemblage de BAD2 retiré, desserrez les deux vis Torx T25 situées sur la partie supérieure du tube oblique. Soutenez la batterie par le bas alors que vous retirez la vis T25. Attention : La batterie est lourde et pourrait tomber du tube oblique une fois que les quatre fixations sont retirées.
4. Lors du remontage de la batterie, utilisez les valeurs de couple indiquées à la figure 7.

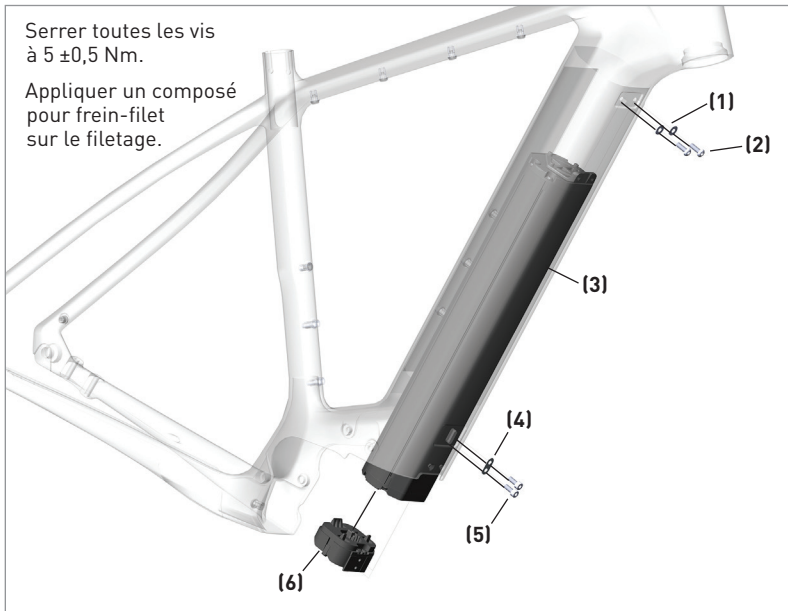


Figure 7

(1)	Rondelles M5
(2)	Vis à tête de bouton M5
(3)	PowerTube de Bosch
(4)	Rondelle double
(5)	Vis à chapeau à tête creuse M5
(6)	Adaptateur BAD2 de Bosch

## Application eBike Flow de Bosch

Le système de commande intelligent de Bosch peut être connecté à l'application eBike Flow du téléphone intelligent. Grâce à cette application connectée par Bluetooth, vous pouvez voir la configuration détaillée de votre vélo électrique et personnaliser de nombreux paramètres du système. En outre, l'application eBike Flow affiche les codes d'erreur sans avoir besoin de connecter votre vélo électrique à un ordinateur.

### Établir la connexion avec votre téléphone intelligent

Afin de pouvoir utiliser les fonctions suivantes du vélo électrique, il faut avoir un téléphone intelligent sur lequel a été téléchargée l'application eBike Flow. La connexion à l'application s'effectue via une connexion Bluetooth®.

1. Assurez-vous que le Bluetooth de votre appareil intelligent est activé.
2. Mettez votre vélo électrique en marche.
3. Appuyez sur le bouton Marche/Arrêt de votre vélo électrique et maintenez-le enfoncé pendant au moins trois secondes.
4. Relâchez le bouton Marche/Arrêt lorsque la barre la plus en bas sur l'indicateur de charge de la batterie clignote en bleu. Cela indique que l'appariement a commencé.
5. Confirmez la demande de connexion Bluetooth sur l'application eBike Flow.

## Dépannage

### Codes d'erreur

Les composants du système du vélo électrique sont continuellement et automatiquement surveillés. Si une erreur est détectée, le code d'erreur correspondant s'affiche sur l'ordinateur de bord sous la forme d'une lumière orange dans l'affichage du mode d'assistance de la commande du système sur le tube supérieur. Selon le type d'erreur, le vélo peut afficher un voyant orange dans l'affichage du mode d'assistance sur la commande du tube supérieur et continuer à fonctionner normalement ou le moteur peut s'arrêter automatiquement. Les utilisateurs peuvent être en mesure de résoudre les erreurs à l'aide de l'application Bosch eBike Flow. Certaines erreurs non critiques peuvent être temporairement effacées en appuyant sur le bouton de sélection de la mini-commande (le cas échéant) ou en effaçant le code d'erreur dans l'application mobile Bosch eBike Flow.

Avant d'entreprendre d'autres parcours, le vélo électrique devrait être vérifié par un revendeur agréé.

Code	Cause	Mesure corrective
540	Erreur de température	La température du vélo électrique se trouve en dehors de la plage de température permise. Éteignez le système du vélo électrique et laissez le moteur refroidir ou chauffer pour qu'il atteigne la plage de température permise. Redémarrez le système. Si le problème persiste, communiquez avec votre revendeur Bosch.
550	Une charge inacceptable a été détecté.	Retirez la charge. Redémarrez le système. Si le problème persiste, communiquez avec votre revendeur Bosch.
580	Erreur de version de logiciel	Redémarrez le système. Si le problème persiste, communiquez avec votre revendeur Bosch.
591	Erreur d'authentification	Éteignez le système du VAE. Retirez la batterie et remettez-la en place. Redémarrez le système. Si le problème persiste, communiquez avec votre revendeur Bosch.
592	Composant incompatible	Utilisez un affichage compatible. Si le problème persiste, communiquez avec votre revendeur Bosch.
593	Erreur de configuration	Redémarrez le système. Si le problème persiste, communiquez avec votre revendeur Bosch.
595, 596	Erreur de communication	Vérifiez le câblage vers le moteur et redémarrez le système. Si le problème persiste, communiquez avec votre revendeur Bosch.
602	Défaut interne de la batterie	Redémarrez le système. Si le problème persiste, communiquez avec votre revendeur Bosch.
603	Défaut interne de la batterie	Redémarrez le système. Si le problème persiste, communiquez avec votre revendeur Bosch.
605	Erreur de température de la batterie	La plage de température de la batterie se trouve en dehors de la plage de température permise. Éteignez le système du vélo électrique et laissez le moteur refroidir ou chauffer pour qu'il atteigne la plage de température permise. Redémarrez le système. Si le problème persiste, communiquez avec votre revendeur Bosch.



Code	Cause	Mesure corrective
606	Défaut de la batterie externe	Vérifiez le câblage. Redémarrez le système. Si le problème persiste, communiquez avec votre revendeur Bosch.
610	Erreur de tension de la batterie	Redémarrez le système. Si le problème persiste, communiquez avec votre revendeur Bosch.
620	Défaut du chargeur	Remplacez le chargeur. Communiquez avec votre revendeur Bosch.
640	Défaut interne de la batterie	Redémarrez le système. Si le problème persiste, communiquez avec votre revendeur Bosch.
655	Défauts multiples de la batterie	Éteindre le système du VAE. Retirez la batterie et remettez-la en place. Redémarrez le système. Si le problème persiste, communiquez avec votre revendeur Bosch.
656	Erreur de version de logiciel	Communiquez avec votre revendeur de vélos électriques Bosch pour qu'il puisse effectuer une mise à jour du logiciel.
7xx	Erreur relative à des composants tiers	Respectez l'information se trouvant dans les modes d'emploi du fabricant des composants respectif.
800	Défaut interne de l'ABS	Communiquez avec votre revendeur Bosch.
810	Signaux incohérents provenant du capteur de vitesse au niveau de la roue	Communiquez avec votre revendeur Bosch.
820	Défaut au niveau du câble allant vers le capteur de vitesse de la roue avant	Communiquez avec votre revendeur Bosch.
821 à 826	Signaux incohérents provenant du capteur de vitesse au niveau de la roue avant. Le disque du capteur peut être manquant, défectueux ou mal monté; il existe une différence significative de diamètre entre la roue avant et la roue arrière; situation de conduite extrême, par exemple en roulant uniquement sur la roue arrière.	Redémarrez le système et effectuez un parcours d'essai d'une durée minimale de deux minutes. Le témoin ABS doit s'éteindre. Si le problème persiste, communiquez avec votre revendeur Bosch.
830	Défaut au niveau du câble allant vers le capteur de vitesse de la roue arrière	Communiquez avec votre revendeur Bosch.
831 833 à 835	Signaux incohérents provenant du capteur de vitesse au niveau de la roue arrière. Le disque du capteur peut être manquant, défectueux ou mal monté; il existe une différence significative de diamètre entre la roue avant et la roue arrière; situation de conduite extrême, par exemple en roulant uniquement sur la roue arrière.	Redémarrez le système et effectuez un parcours d'essai d'une durée minimale de deux minutes. Le témoin ABS doit s'éteindre. Si le problème persiste, communiquez avec votre revendeur Bosch.
840	Défaut interne de l'ABS	Communiquez avec votre revendeur Bosch.
850	Défaut interne de l'ABS	Communiquez avec votre revendeur Bosch.
860, 861	Défaut dans l'alimentation électrique	Redémarrez le système. Si le problème persiste, communiquez avec votre revendeur Bosch.
870, 871, 880 883 à 885	Erreur de communication	Redémarrez le système. Si le problème persiste, communiquez avec votre revendeur Bosch.
889	Défaut interne de l'ABS	Communiquez avec votre revendeur Bosch.
890	Le témoin de l'ABS est défectueux ou manquant; l'ABS pourrait ne pas fonctionner.	Communiquez avec votre revendeur Bosch.
Aucun affichage	Défaut interne de l'ordinateur de bord	Redémarrez le système de votre vélo électrique en l'éteignant et en le rallumant.

# Garantie

## Garantie Salsa

Ce produit est garanti contre les défauts de pièces et de main-d'œuvre pendant la période indiquée sur [www.salsacycles.com](http://www.salsacycles.com) et sur la page du produit à compter de la date d'achat au détail du produit sous réserve des limitations indiquées ci-dessous. Conservez votre reçu daté comme justificatif d'achat.

Cette garantie NE couvre PAS les situations suivantes :

- Dommages dus à un assemblage incorrect, un entretien insuffisant ou un manque de compétences ou d'expérience de l'utilisateur ou de l'assembleur;
- Produits qui ont été modifiés, négligés, utilisés lors de compétitions ou à des fins commerciales, utilisés de façon incorrecte ou abusive, qui ont subi des accidents ou un traitement autre qu'une utilisation normale;
- Installation de composants, pièces ou accessoires dont l'utilisation n'est pas initialement prévue ou qui ne sont pas compatibles avec le produit tel qu'il est vendu;
- Dommages ou détérioration de la peinture, du fini de surface, de l'esthétique ou de l'aspect du produit;
- Usure normale;
- Main-d'œuvre requise pour démonter ou réinstaller et réajuster le produit sur le vélo.

Cette garantie limitée est expressément limitée à la réparation ou au remplacement du produit d'origine, à la discrétion de Salsa, et constitue le seul recours offert par cette garantie. Cette garantie limitée s'applique uniquement à l'acheteur initial du produit Salsa et n'est pas transférable. Cette garantie s'applique uniquement aux produits achetés auprès d'un revendeur ou distributeur agréé. Salsa décline toute responsabilité en cas de perte, de désagrément ou de dommage, direct, indirect, accessoire ou autre, résultant d'une violation de toute garantie ou condition expresse ou tacite de qualité marchande, d'adéquation à un usage particulier ou autre en ce qui concerne nos produits, exception faite des conditions énoncées dans les présentes. Cette garantie donne au consommateur des droits juridiques spécifiques, et ces droits et d'autres droits peuvent varier d'un lieu à un autre. Cette garantie n'influence en rien les droits qui vous sont accordés par la loi.

**DANS TOUTE LA MESURE PERMISE PAR LA LOI, CES GARANTIES SONT EXCLUSIVES ET NOUS N'OFFRONS AUCUNE AUTRE GARANTIE, EXPRESSE OU TACITE, NI CONDITION, Y COMPRIS GARANTIE OU CONDITION DE QUALITÉ MARCHANDE ET D'ADÉQUATION À UN USAGE PARTICULIER.**

Enregistrement de la garantie : Une preuve d'achat est requise avant le traitement d'une réclamation au titre de la garantie. Salsa recommande vivement l'enregistrement de la garantie sur le site [salsacycles.com](http://salsacycles.com). L'absence d'enregistrement ne change en rien les droits du consommateur dans le cadre de la garantie limitée susmentionnée, tant que celui-ci peut, de manière raisonnable, justifier de son statut de propriétaire d'origine et fournir la date d'achat du produit Salsa. Si vous avez des questions, envoyez un mot à l'adresse courriel suivante [warranty@salsacycles.com](mailto:warranty@salsacycles.com). Vous pouvez déposer une réclamation partout où les produits Salsa sont vendus. En cas de doute, prenez contact avec votre magasin local. Détaillez le problème que vous rencontrez, notamment, mais sans s'y limiter, en décrivant les autres pièces utilisées conjointement avec la pièce Salsa défectueuse.

**REMARQUE :** Les conditions de la Garantie ne constituent pas une garantie de durée de fonctionnement du produit. La durée de vie du produit dépend de son utilisation, de son entreposage et de son entretien au fil du temps. La Garantie ne suggère aucunement que le produit est incassable ou qu'il sera éternel. Elle sert simplement à établir les termes de la couverture.





[SALSACYCLES.COM](http://SALSACYCLES.COM)