

## DOWN UNDER RACK INSTRUCTIONS

At Salsa, we believe that a sense of adventure makes life better. The bicycle can be so much more than just a bike; it's a path to new places, new people, and amazing experiences.

Thank you for your purchase. We hope it makes a good riding experience even better!

Salsa. Adventure by bike.

**▲ WARNING:** CYCLING CAN BE DANGEROUS. BICYCLE PRODUCTS SHOULD BE INSTALLED AND SERVICED BY A PROFESSIONAL MECHANIC. NEVER MODIFY YOUR BICYCLE OR ACCESSORIES. READ AND FOLLOW ALL PRODUCT INSTRUCTIONS AND WARNINGS INCLUDING INFORMATION ON THE MANUFACTURER'S WEBSITE. INSPECT YOUR BICYCLE BEFORE EVERY RIDE. ALWAYS WEAR A HELMET.

### Intended Use & Compatibility

The Salsa Down Under V2 Rack features a load capacity of up to 31 lb (15kg) and the Down Under V2 HD up to 55 lb (25kg). They are designed to work well with most pannier designs. Down Under V2 Front Racks are compatible only on forks with dropout AND fork leg mounts, and the leg mounts must be threaded on both the outside AND inside of the fork.

#### ▲ WARNING:

- Down Under V2 Front Racks are not designed for carrying anything other than panniers or rack-specific bags
- Do not modify the Down Under V2 Front Racks. Doing so will void the warranty (see below)
- Front racks may change the steering and handling of your bike, especially when loaded. Be sure to test the handling out in a safe area free from traffic or obstacles before riding
- Make sure your load is evenly balanced and secure before riding (i.e. no loose straps to get caught in the wheels)
- Position reflectors and lights so that they are not obstructed when the rack is loaded

### Parts List

Rack assembly clamps x 2  
M5 x 12mm bolts x 4  
M5 x 20mm bolts x 2  
Rack sides x 2

### Tools

3 and 4mm Allen wrenches

### Installation

1. Install the drive side of the rack to the fork dropout eyelet using an M5 x 12 mm bolt. Don't fully tighten the bolt yet (fig 1).
2. Install the rack clamp assembly around the top pannier bar and align with mid-blade fork mount. This will also bring the slotted arm around the fork blade, so you may have to gently spread the stays to fit around the fork blade. The counter-sunk hole of the rack clamp should be facing out away from the bike (fig 2).
3. Make sure the rack is parallel to the ground when the front wheel is installed and the bike is sitting on the ground (fig 3).

4. Install the M5 x 20mm bolt through the rack clamp and fully tighten to 4–6Nm (fig 4).
5. Install the button head M5 x 12mm bolt to the inside of the mid-blade mount (fig 5). Tighten to 4–6Nm.
6. Make sure the fork dropout eyelet M5 bolt is torqued to 4–6Nm.
7. Repeat steps 1–6 for the non-driveside (fig 6).
8. With the front wheel installed, double-check the rack positioning. Again, the top of the rack should be parallel to the ground (fig 3).
9. Make sure all bolts are tightened to 4–6Nm. Also make sure the wheel can spin freely and nothing is interacting with the wheel that could cause it to suddenly stop.
10. Make sure to check all hardware for loosening, and the rack for any damage before every ride.

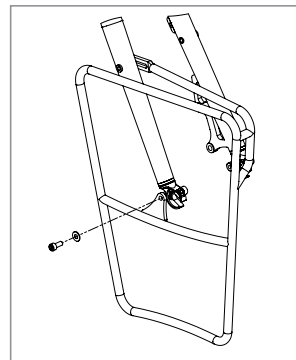


Figure 1

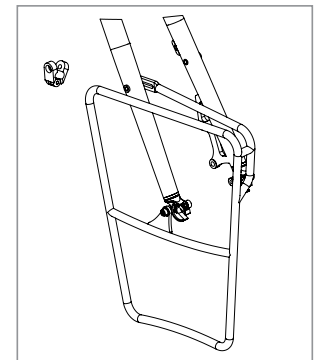


Figure 2

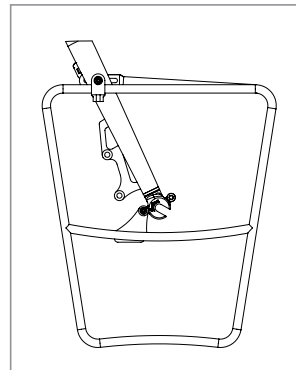


Figure 3

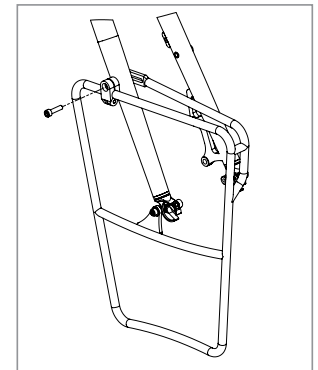


Figure 4

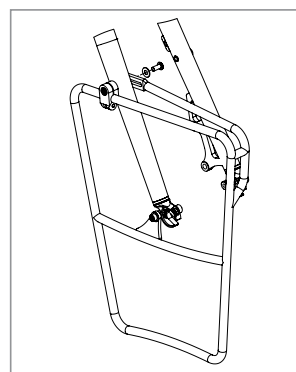


Figure 5

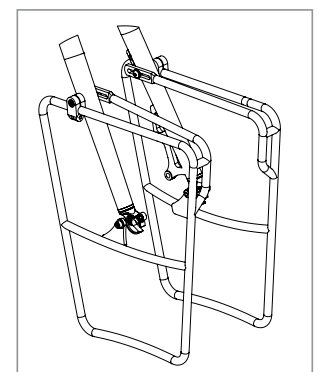


Figure 6



## DOWN UNDER RACK INSTRUCTIONS

### Ongoing Maintenance

Periodically check to make sure that the mounting bolts that attach your Down Under V2 Front Racks to the fork are properly tightened. Failure to do so may result in your rack or cargo coming loose which could cause a crash resulting in serious injury or death.

### Salsa Cycles Limited Warranty

All Salsa products are warranted against manufacturing defects in materials and workmanship from the date of retail purchase of the product, subject to the limitations detailed below. Save your dated receipt for proof of purchase.

### Three-Year Warranty

All Salsa bicycle forks, parts and components:

This warranty applies to 2014 and newer model bicycles and covers only Salsa Cycles branded product. Any other original part or component shall be covered by the stated warranty of the original manufacturer. Any products not specifically included above are hereby omitted.

TO THE EXTENT NOT PROHIBITED BY LAW, THESE WARRANTIES ARE EXCLUSIVE AND THERE ARE NO OTHER EXPRESS OR IMPLIED WARRANTIES OR CONDITIONS INCLUDING WARRANTIES OR CONDITIONS OF MERCHANTABILITY AND FITNESS FOR A PARTICULAR PURPOSE.

This warranty does not cover the following:

- Damage due to improper assembly or follow-up maintenance or lack of skill, competence, or experience of the user or assembler
- Products that have been modified, neglected, used in competition or for commercial purposes, misused or abused, involved in accidents or anything other than normal use
- Installation of components, parts, or accessories not originally intended for use with or compatible with Salsa product
- Damage or deterioration to the surface finish, aesthetics or appearance of the product including but not limited to paint damage
- Normal wear and tear
- Labor required to remove and/or refit and re-adjust the product within the Salsa product
- Damage to carbon fiber caused by any carbon assembly paste

This limited warranty is expressly limited to the repair or replacement of a defective product, at the option of Salsa Cycles, and is the sole remedy of the warranty. This limited warranty applies only to the original purchaser of the Salsa Cycles product and is not transferable. This warranty applies only to Salsa Cycles products purchased through an authorized dealer or distributor.

In no event shall Salsa Cycles be liable for any loss, inconvenience or damage, whether direct, incidental, consequential, or otherwise resulting from breach of any express or implied warranty or condition, of merchantability, fitness for a particular purpose, or otherwise with respect to our products except as set forth herein. This warranty gives the consumer specific legal rights, and those rights and other rights may vary from place to place. This warranty does not affect your statutory rights.

### Warranty Registration:

Proof of purchase is required before a warranty claim is processed. Salsa Cycles therefore strongly encourages warranty registration at [salsacycles.com](http://salsacycles.com). Failure to register will not affect consumer rights under the limited warranty stated above, so long as the consumer can show in a reasonable manner proof of original ownership and the date the Salsa Cycles product was purchased.

If you have any questions contact [warranty@salsacycles.com](mailto:warranty@salsacycles.com)

### SALSA CYCLES

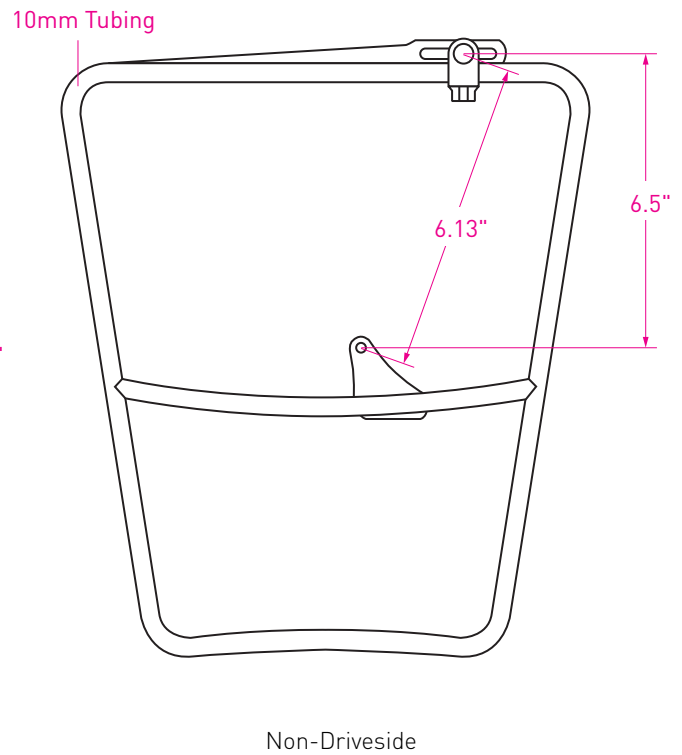
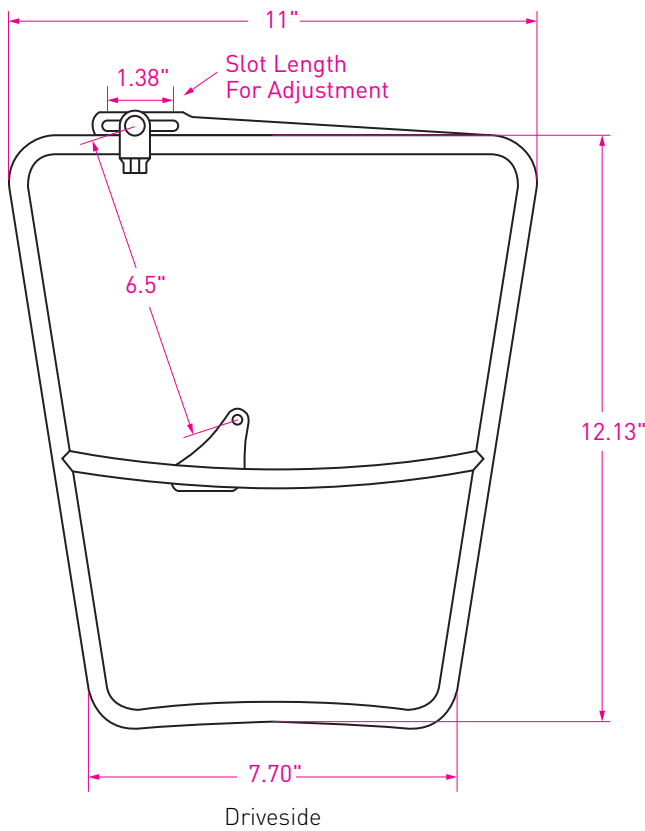
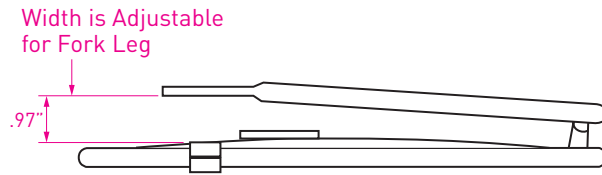
6400 West 105th Street, Bloomington, MN 55438

Tel: 877-MOTO-ACE Fax: 952-983-6210

[www.salsacycles.com](http://www.salsacycles.com)

## DIMENSIONS FOR DOWN UNDER RACK

Designed for forks with rear dropout fork eyelets



### SALSA CYCLES

6400 West 105th Street, Bloomington, MN 55438

Tel: 877-MOTO-ACE Fax: 952-983-6210

[www.salsacycles.com](http://www.salsacycles.com)

12496 03/15

For additional product and safety information go to [salsacycles.com/safety](http://salsacycles.com/safety)