

RETAILER: This framesheet MUST BE provided to the end user.

At Salsa, we believe that a sense of adventure makes life better. The bicycle can be so much more than just a bike; it's a path to new places, new people, and amazing experiences.

Thank you for your purchase. We hope it makes a good riding experience even better!

Salsa. Adventure by bike.

Thank you for purchasing a Salsa Colossal! We want to give you important information about your bike...

▲ WARNING: CYCLING CAN BE DANGEROUS. BICYCLE PRODUCTS SHOULD BE INSTALLED AND SERVICED BY A PROFESSIONAL MECHANIC. NEVER MODIFY YOUR BICYCLE OR ACCESSORIES. READ AND FOLLOW ALL PRODUCT INSTRUCTIONS AND WARNINGS INCLUDING INFORMATION ON THE MANUFACTURER'S WEBSITE. INSPECT YOUR BICYCLE BEFORE EVERY RIDE. ALWAYS WEAR A HELMET.

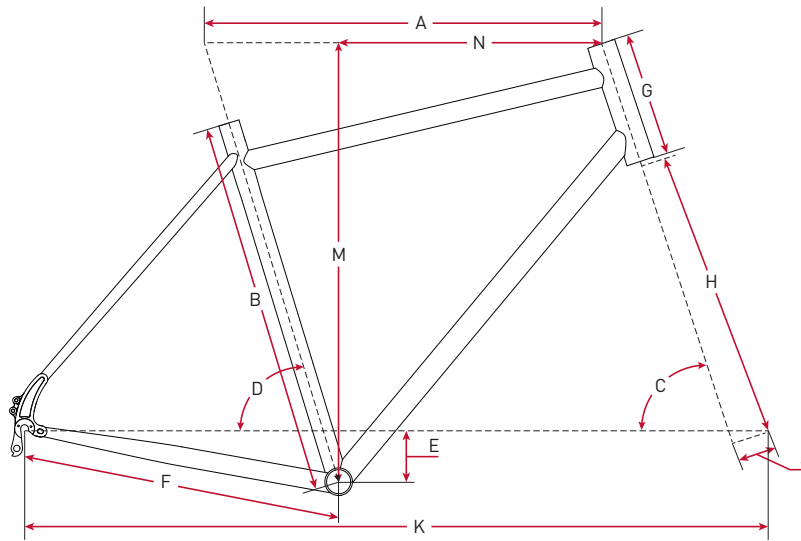
Intended Use: Condition 2

CONDITION	DESCRIPTION	SALSA MODELS
	This is a set of conditions for the operation of a bicycle on a regular paved surface where the tires are intended to maintain ground contact.	
	This is a set of conditions for the operation of a bicycle that includes Condition 1 as well as unpaved and gravel roads and trails with moderate grades. In this set of conditions, contact with irregular terrain and loss of tire contact with the ground may occur. Drops are intended to be limited to 15cm (6") or less.	Colossal Fargo Vaya Warbird
	This is a set of conditions for operation of a bicycle that includes Condition 1 and Condition 2 as well as rough trails, rough unpaved roads, and rough terrain and unimproved trails that require technical skills. Jumps and drops are intended to be less than 61cm (24").	Beargrease Blackborow El Mariachi Mukluk Spearfish
	This is a set of conditions for operation of a bicycle that includes Conditions 1, 2, 3, and 3, or downhill grades on rough trails at speeds less than 40 km/h (25 mph), or both. Jumps are intended to be less than 122cm (48").	Bucksaw Horsethief
	This is a set of conditions for operation of a bicycle that includes Conditions 1, 2, 3, and 4; extreme jumping; or downhill grades on rough trails at speeds in excess of 40 km/h (25 mph); or a combination thereof.	

Frame Compatibility

Wheel/Tire Compatibility	700 x 28mm tire w/fender or 700 x 30mm tire
Fork	Colossal Carbon 367 x 43mm
Headset-Upper	ZS44/28.6
Headset-Lower	EC44/33
Seatpost	27.2mm
Seat Collar	Colossal Steel: 30.0mm; Colossal Ti: 32.0mm
Stem	60/70/80/90/100 (7° stem)
Handlebar Width	40/42/42/44/46mm
Front Derailleur	Bottom pull
Front Derailleur Bracket Band Clamp	Colossal Steel: 28.6mm OD; Colossal Ti: 34.9mm OD
Bottom Bracket	PressFit BB86
Crankset	39/54t maximum
Crankarm Length	170/172.5/172.5/175/175mm
Rear Brake	51 mm I.S. mount, minimum rotor size 160mm, maximum rotor size 160mm
Front Brake	140mm post, 160mm maximum
Rear Hub	Colossal Steel: 135 x 10mm QR; Colossal Ti: 142 x 12mm thru-axle
Rear Axle Size	Colossal Ti: 171 x 12mm thru-axle (M12 x 1.5mm thread)
Front Hub	100 x 15mm thru-axle
Front Axle Size	125.1 x 15mm thru-axle (M15 x 1.5mm thread)
Derailleur Hanger	Colossal Steel: FS2310 Colossal Ti: 687
Bottle Mounts	2
BB Cable Guide	YF-007-3

Frame Geometry



WITH COLOSSAL CARBON FORK

	51cm	53cm	55cm	56cm	58cm	60cm
Recommended Rider Height	152–160cm	157–165cm	165–175cm	173–183cm	180–190cm	188cm–UP
A. Toptube Effective	518	535	550	565	580	600
B. Seat Tube Length	450.0	485.0	515.0	530.0	555.0	580.0
C. Headtube Angle	71.5°	72.0°	72.5°	72.5°	73.0°	73.0°
D. Seat Tube Angle	75.5°	74.0°	73.5°	73.0°	72.5°	72.0°
E. BB Drop	70	70	70	70	70	70
F. Chainstay Length	415	415	415	415	415	415
G. Headtube Length	100	120	140	160	185	210
H. Fork Length	367	367	367	367	367	367
J. Fork Offset	43	43	43	43	43	43
K. Wheelbase	987.7	986.8	992.7	1002.6	1007.0	1020.8
M. Stack	509.2	529.8	550.6	569.7	595.3	619.2
N. Reach	386.3	383.1	386.9	390.8	392.3	398.8
*Standover	703.6	733.5	759.7	775.5	800.1	823.7
*Standover - Ti	703.2	733.4	759.8	775.6	800.3	824.0

All measurements in mm unless noted
*Not shown

Care & Maintenance

Keep your frame clean. Dirt and road grime lead to oxidation and fading of the finish, and they make it hard to do a thorough inspection. Dirt will accelerate any abrasion of the paint that comes from rubbing, such as places where the cable housing touches the frame. In extreme cases, this type of abrasion could remove frame material.

When your bicycle is not being ridden, store it where it will be protected from rain, snow, sun, etc. Rain or snow may cause the metal on your frame to corrode. We recommend applying J.P. Weigle's Frame Saver to the inside of the tubes before the frame is assembled into a bike (only applicable for steel frames).

If your bicycle was exposed to moisture during a ride, thoroughly dry the bicycle before storing it. If water got inside the frame, tilt the bicycle to drain the water. If necessary, remove the seatpost and turn the bicycle upside down. This is especially critical if there is a large amount of water inside. If water freezes inside your frame, the expansion of the ice can crack and rupture the structure.

Before storing your bicycle for an extended period of time, clean and lubricate the frame with a frame wax, polish, or protectant. Do not store the bicycle near electric motors, as ozone from motors destroys paint. Before riding the bicycle again, follow the pre-ride checklist to be certain it is in good working order.

Salsa Colossal Carbon Fork included.

Measurements listed are based on:

- A 700c x 28mm tire measuring 690mm in diameter
- Standover measured vertically to top of toptube from a position 50mm forward of BB center



2015 COLOSSAL FRAMESHEET

Inspection

Before every ride carefully inspect your frame for signs of fatigue. If any frame part shows signs of damage or fatigue, consult your dealer or replace the frame before riding the bicycle.

▲ WARNING: An improperly modified frame, fork, or component can cause you to lose control and fall. NEVER MODIFY YOUR FRAMESET.

▲ WARNING: Attaching incompatible clamping devices to a fork can lead to fork breakage, causing a loss of control. If you are not sure if a device is compatible, consult your dealer.

SERIAL NUMBER: _____

Get a pen and write down the serial number of your Salsa immediately. The number is stamped into the bottom of the bottom bracket shell. Having this number is imperative if your bike ever gets stolen or if you ever have questions about your frame...we are constantly improving our products and sometimes the serial number is the only way to tell one generation of product from another.

Salsa Cycles Limited Warranty

All Salsa products are warranted against manufacturing defects in materials and workmanship from the date of retail purchase of the product, subject to the limitations detailed below. Save your dated receipt for proof of purchase.

Five Year Warranty

- Steel frames for original owner
- Titanium frames for original owner
- Carbon frames for original owner

Three Year Warranty

- Aluminum frames for original owner
- All other Salsa bicycle forks, parts and components

This warranty applies to 2014 and newer model bicycles and covers only Salsa Cycles branded product. Any other original part or component shall be covered by the stated warranty of the original manufacturer. Any products not specifically included above are hereby omitted.

TO THE EXTENT NOT PROHIBITED BY LAW, THESE WARRANTIES ARE EXCLUSIVE AND THERE ARE NO OTHER EXPRESS OR IMPLIED WARRANTIES OR CONDITIONS INCLUDING WARRANTIES OR CONDITIONS OF MERCHANTABILITY AND FITNESS FOR A PARTICULAR PURPOSE.

For 2013 and older model bicycles and products, please consult your Owner's Manual or contact Salsa Cycles or your Salsa dealer for the applicable warranty information.

This warranty does not cover the following:

- Damage due to improper assembly or follow-up maintenance or lack of skill, competence or experience of the user or assembler
- Products that have been modified, neglected, used in competition or for commercial purposes, misused or abused, involved in accidents or anything other than normal use
- Installation of components, parts, or accessories not originally intended for use with or compatible with Salsa product
- Damage or deterioration to the surface finish, aesthetics or appearance of the product including but not limited to paint damage
- Normal wear and tear
- Labor required to remove and/or refit and re-adjust the product within the bicycle assembly
- Damage to carbon fiber caused by any carbon assembly paste

This limited warranty is expressly limited to the repair or replacement of a defective product, at the option of Salsa Cycles, and is the sole remedy of the warranty. This limited warranty applies only to the original purchaser of the Salsa Cycles product and is not transferable. This warranty applies only to Salsa Cycles products purchased through an authorized dealer or distributor. In no event shall Salsa Cycles be liable for any loss, inconvenience or damage, whether direct, incidental, consequential, or otherwise resulting from breach of any express or implied warranty or condition, of merchantability, fitness for a particular purpose, or otherwise with respect to our products except as set forth herein. This warranty gives the consumer specific legal rights, and those rights and other rights may vary from place to place. This warranty does not affect your statutory rights.

Warranty Registration:

Proof of purchase is required before a warranty claim is processed. Salsa Cycles therefore strongly encourages warranty registration at salsacycles.com. Failure to register will not affect consumer rights under the limited warranty stated above, so long as the consumer can show in a reasonable manner proof of original ownership and the date the Salsa Cycles product was purchased.

If you have any questions contact warranty@salsacycles.com

SALSA CYCLES

6400 West 105th Street, Bloomington, MN 55438

Tel: 877-MOTO-ACE Fax: 952-983-6210

www.salsacycles.com