

RETAILER: This framesheet MUST BE provided to the end user.

At Salsa, we believe that a sense of adventure makes life better. The bicycle can be so much more than just a bike; it's a path to new places, new people, and amazing experiences.

Thank you for your purchase. We hope it makes a good riding experience even better!

Salsa. Adventure by bike®.

Thank you for purchasing a Salsa Vaya! We want to give you important information about your bike...

▲ WARNING: CYCLING CAN BE DANGEROUS. BICYCLE PRODUCTS SHOULD BE INSTALLED AND SERVICED BY A PROFESSIONAL MECHANIC. NEVER MODIFY YOUR BICYCLE OR ACCESSORIES. READ AND FOLLOW ALL PRODUCT INSTRUCTIONS AND WARNINGS INCLUDING INFORMATION ON THE MANUFACTURER'S WEBSITE. INSPECT YOUR BICYCLE BEFORE EVERY RIDE. ALWAYS WEAR A HELMET.

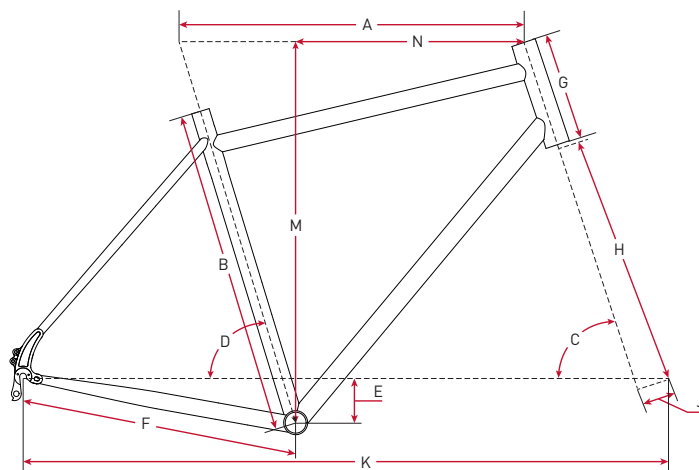
Intended Use: Condition 2

| CONDITION | DESCRIPTION | SALSA MODELS |
|-----------|--|--|
| | This is a set of conditions for the operation of a bicycle on a regular paved surface where the tires are intended to maintain ground contact. | |
| | This is a set of conditions for the operation of a bicycle that includes Condition 1 as well as unpaved and gravel roads and trails with moderate grades. In this set of conditions, contact with irregular terrain and loss of tire contact with the ground may occur. Drops are intended to be limited to 15cm (6") or less. | Colossal Fargo Vaya Warbird |
| | This is a set of conditions for operation of a bicycle that includes Condition 1 and Condition 2 as well as rough trails, rough unpaved roads, and rough terrain and unimproved trails that require technical skills. Jumps and drops are intended to be less than 61cm (24"). | Beargrease Blackborow El Mariachi Mukluk Spearfish |
| | This is a set of conditions for operation of a bicycle that includes Conditions 1, 2, and 3, or downhill grades on rough trails at speeds less than 40 km/h (25 mph), or both. Jumps are intended to be less than 122cm (48"). | Bucksaw Horsethief |
| | This is a set of conditions for operation of a bicycle that includes Conditions 1, 2, 3, and 4; extreme jumping; or downhill grades on rough trails at speeds in excess of 40 km/h (25 mph); or a combination thereof. | |

Frame Compatibility

| | |
|-------------------|--|
| Wheelsize | 26" for 50/52cm, 700c for 54/55/56/57/58/60cm |
| Tire clearance | Clearance for 26 x 1.9" tires (50/52cm sizes), clearance for 700c x 38mm tires with fenders or 700c x 42mm without fenders (54cm sizes and up) |
| Fork | Salsa Vaya Fork included; 1-1/8" threadless |
| Headset-Upper | 1-1/8" threadless (EC34/28.6) |
| Headset-Lower | 1-1/8" threadless (EC34/30) |
| Seatpost | 27.2mm |
| Seat Collar | 30.0mm; Salsa Lip-Lock Included |
| Front Derailleur | 28.6mm clamp, bottom pull |
| Bottom Bracket | 68mm BSA |
| Crankset | Fits any road compact double or triple |
| Front Brake | 51mm I.S. disc brake mount, minimum rotor size 160mm, maximum rotor size 180mm |
| Rear Brake | 51mm I.S. disc brake mount, minimum rotor size 140mm, maximum rotor size 180mm |
| Rear Spacing | 135 x 10mm QR |
| Bottle Mounts | 3 per frame |
| Derailleur Hanger | FS2310 |
| Cable Routing | Full brake housing along downtube, downtube shifter boss mounts, Cables along downtube |

Frame Geometry



Measurements listed are based on:

- Vaya uses two different wheel sizes based on frame size
- Measurements listed for 50/52cm sizes are based on a 26 x 1.9" tire measuring 654mm in diameter
- Measurements listed for 54/55/56/57/58/60cm sizes are based on a 700c x 40mm tire measuring 709mm in diameter
- Standover is measured vertically to top of toptube from a position 50mm forward of BB center

WITH VAYA/VAYA TRAVEL FORK

| | 50cm | 52cm | 54cm | 55cm | 56cm | 57cm | 58cm | 60cm |
|----------------------------------|-----------|-----------|-----------|-----------|-----------|-----------|-----------|----------|
| Recommended Rider Height | 150–157cm | 157–165cm | 165–173cm | 170–178cm | 175–183cm | 180–185cm | 183–191cm | 188cm–UP |
| A. Toptube Effective | 500 | 525 | 540 | 550 | 560 | 570 | 585 | 600 |
| B. Seat Tube Length | 450.0 | 470.0 | 490.0 | 520.0 | 530.0 | 540.0 | 550.0 | 570.0 |
| C. Headtube Angle | 70° | 70° | 71° | 71.5° | 71.5° | 71.5° | 72° | 72° |
| D. Seat Tube Angle | 74.5° | 74° | 73.5° | 73° | 73° | 72.5° | 72.5° | 72° |
| E. BB Drop | 50 | 50 | 75 | 75 | 75 | 75 | 75 | 75 |
| F. Chainstay Length (Travel) | 440–457 | 440–457 | 450–467 | 450–467 | 450–467 | 450–467 | 450–467 | 450–467 |
| F. Chainstay Length (all others) | 440 | 440 | 450 | 450 | 450 | 450 | 450 | 450 |
| G. Headtube Length | 120 | 135 | 150 | 165 | 175 | 185 | 200 | 215 |
| H. Fork Length | 380 | 380 | 405 | 405 | 405 | 405 | 405 | 405 |
| J. Fork Offset | 50 | 50 | 50 | 50 | 50 | 50 | 45 | 45 |
| K. Wheelbase (Travel) | 1033.5 | 1054.8 | 1056.3 | 1055.9 | 1066.2 | 1070.2 | 1074.9 | 1083.7 |
| K. Wheelbase (all others) | 1016.5 | 1037.8 | 1039.3 | 1038.9 | 1049.2 | 1053.5 | 1057.9 | 1066.7 |
| M. Stack | 511.9 | 526.0 | 592.9 | 609.1 | 618.6 | 628.0 | 646.5 | 660.7 |
| N. Reach | 358.1 | 374.2 | 364.4 | 363.8 | 370.9 | 372.0 | 381.2 | 385.3 |
| *Standover | 698.1 | 715.3 | 754.5 | 780.3 | 789.7 | 799.5 | 812.0 | 829.7 |

All measurements in mm unless noted

*Not shown

Care & Maintenance

Keep your frame clean. Dirt and road grime lead to oxidation and fading of the finish, and they make it hard to do a thorough inspection. Dirt will accelerate any abrasion of the paint that comes from rubbing, such as places where the cable housing touches the frame. In extreme cases, this type of abrasion could remove frame material.

When your bicycle is not being ridden, store it where it will be protected from rain, snow, sun, etc. Rain or snow may cause the metal on your frame to corrode. For CroMoly frames we recommend applying J.P. Weigle's Frame Saver to the inside of the tubes before the frame is assembled into a bike.

If your bicycle was exposed to moisture during a ride, thoroughly dry the bicycle before storing it. If water got inside the frame, tilt the bicycle to drain the water. If necessary, remove the seatpost and turn the bicycle upside down. This is especially critical if there is a large amount of water inside. If water freezes inside your frame, the expansion of the ice can crack and rupture the structure.

Before storing your bicycle for an extended period of time, clean and lubricate the frame with a frame wax, polish, or protectant. Do not store the bicycle near electric motors, as ozone from motors destroys paint. Before riding the bicycle again, follow the pre-ride checklist to be certain it is in good working order.



2015 VAYA FRAMESHEET

Inspection

Before every ride carefully inspect your frame for signs of fatigue. If any frame part shows signs of damage or fatigue, consult your dealer or replace the frame before riding the bicycle.

▲ WARNING: An improperly modified frame, fork, or component can cause you to lose control and fall. NEVER MODIFY YOUR FRAMESET.

▲ WARNING: Attaching incompatible clamping devices to a fork can lead to fork breakage, causing a loss of control. If you are not sure if a device is compatible, consult your dealer.

SERIAL NUMBER: _____

Get a pen and write down the serial number of your Salsa immediately. The number is stamped into the bottom of the bottom bracket shell. Having this number is imperative if your bike ever gets stolen or if you ever have questions about your frame...we are constantly improving our products and sometimes the serial number is the only way to tell one generation of product from another.

Salsa Cycles Limited Warranty

All Salsa products are warranted against manufacturing defects in materials and workmanship from the date of retail purchase of the product, subject to the limitations detailed below. Save your dated receipt for proof of purchase.

Five Year Warranty

- Steel frames for original owner
- Titanium frames for original owner
- Carbon frames for original owner

Three Year Warranty

- Aluminum frames for original owner
- All other Salsa bicycle forks, parts and components

This warranty applies to 2014 and newer model bicycles and covers only Salsa Cycles branded product. Any other original part or component shall be covered by the stated warranty of the original manufacturer. Any products not specifically included above are hereby omitted.

TO THE EXTENT NOT PROHIBITED BY LAW, THESE WARRANTIES ARE EXCLUSIVE AND THERE ARE NO OTHER EXPRESS OR IMPLIED WARRANTIES OR CONDITIONS INCLUDING WARRANTIES OR CONDITIONS OF MERCHANTABILITY AND FITNESS FOR A PARTICULAR PURPOSE.

For 2013 and older model bicycles and products, please consult your Owner's Manual or contact Salsa Cycles or your Salsa dealer for the applicable warranty information.

SALSA CYCLES

6400 West 105th Street, Bloomington, MN 55438
Tel: 877-MOTO-ACE Fax: 952-983-6210
www.salsacycles.com

This warranty does not cover the following:

- Damage due to improper assembly or follow-up maintenance or lack of skill, competence or experience of the user or assembler
- Products that have been modified, neglected, used in competition or for commercial purposes, misused or abused, involved in accidents or anything other than normal use
- Installation of components, parts, or accessories not originally intended for use with or compatible with Salsa product
- Damage or deterioration to the surface finish, aesthetics or appearance of the product including but not limited to paint damage
- Normal wear and tear
- Labor required to remove and/or refit and re-adjust the product within the bicycle assembly
- Damage to carbon fiber caused by any carbon assembly paste

This limited warranty is expressly limited to the repair or replacement of a defective product, at the option of Salsa Cycles, and is the sole remedy of the warranty. This limited warranty applies only to the original purchaser of the Salsa Cycles product and is not transferable. This warranty applies only to Salsa Cycles products purchased through an authorized dealer or distributor. In no event shall Salsa Cycles be liable for any loss, inconvenience or damage, whether direct, incidental, consequential, or otherwise resulting from breach of any express or implied warranty or condition, of merchantability, fitness for a particular purpose, or otherwise with respect to our products except as set forth herein. This warranty gives the consumer specific legal rights, and those rights and other rights may vary from place to place. This warranty does not affect your statutory rights.

Warranty Registration:

Proof of purchase is required before a warranty claim is processed. Salsa Cycles therefore strongly encourages warranty registration at salsacycles.com. Failure to register will not affect consumer rights under the limited warranty stated above, so long as the consumer can show in a reasonable manner proof of original ownership and the date the Salsa Cycles product was purchased.

If you have any questions contact warranty@salsacycles.com