



SUSPENSION FRAME SERVICE - CONTROL LINK PIVOT INSTRUCTIONS

At Salsa, we believe that a sense of adventure makes life better. The bicycle can be so much more than just a bike; it's a path to new places, new people, and amazing experiences.

Thank you for your purchase. We hope it makes a good riding experience even better!

Salsa. Adventure by bike.®

▲ WARNING: Cycling can be dangerous. Bicycle products should be installed and serviced by a professional mechanic. Never modify your bicycle or accessories. Read and follow all product instructions and warnings including information on the manufacturer's website. Inspect your bicycle before every ride. Always wear a helmet.

Compatibility & Intended Use

These instructions cover service and replacement of hardware and bearings located at the pivot where the control link connects to the front triangle. These instructions are valid for all Salsa suspension frames with Split Pivot technology.

Required Hardware

Hardware kits required to service this area include:

- 1590 Control Link Pivot Hardware Kit which is compatible with all models and spec level of MY19 and newer Salsa suspension frames

Replacement bearings must be ordered separately. See table below for bearing specification and quantity for each frame model.

Tools & Supplies Required

Torque Wrench

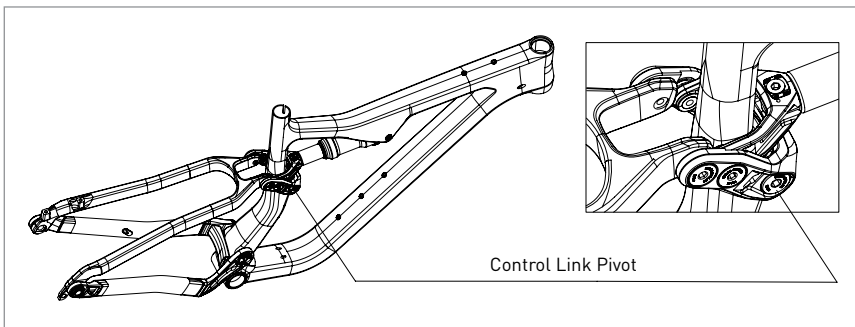
6mm hex bit

15mm, six-point, thin-wall socket

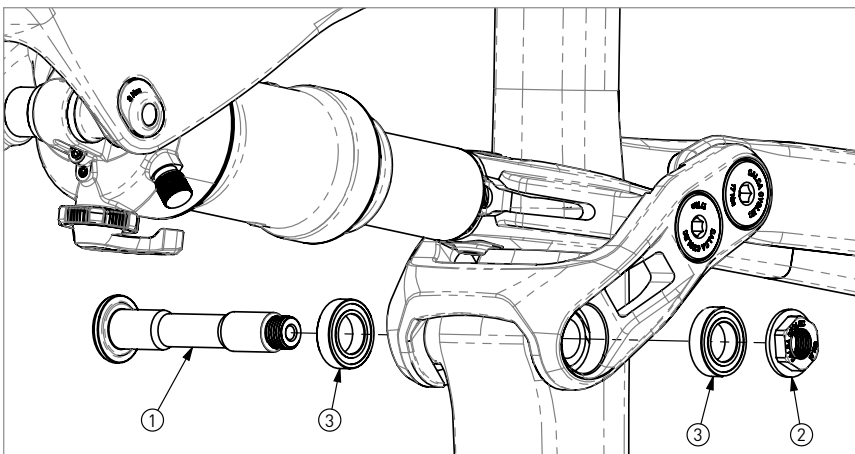
Bearing removal and installation tools (if replacing bearings)

Loctite Blue 242®

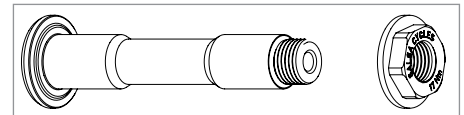
Lightweight grease



Control Link Pivot



Control Link Pivot Detail



1590 Control Link Pivot Hardware Kit

Item #	Qty.	Description	Item Notes	Found in Kit #	Applies to	Tools	Prep	Torque
1	1	1078 Control Link Pin	Ø12 x 68mm (under-head length)	1590	All models MY19+ (Carbon & Aluminum)	6mm hex bit	Lightly grease frame sleeve	17Nm (150 in-lb)
2	1	0696 Control Link Nut	M10 x 1.0	1590	All models MY19+ (Carbon & Aluminum) Pre-MY19 models (Carbon & Aluminum)	15mm, six-point thin-walled socket	Loctite Blue 242® on threads	17Nm (150 in-lb)
3	2 req.	6801 Cartridge Bearing	Ø12 x Ø21 x 5w	--	All models MY19+ (Carbon & Aluminum) Pre-MY19 models (Carbon & Aluminum)	Bearing removal & installation tools	Clean frame pockets, grease for press fit	--



SUSPENSION FRAME SERVICE - CONTROL LINK PIVOT INSTRUCTIONS

Service Notes

(Refer to the images and table on page 1, and notes below for proper installation.)

- 0696 Control Link Nut is backwards compatible with pre-MY19 frames
- 1078 Control Link Pin is NOT backwards compatible. Use the 0485 Control Link Pin (66mm long) for pre-MY19 frames.

Hardware

- A thin coat of light grease can be applied to the frame sleeve and outer diameter of the control link pin prior to installation. Wipe and clean excess grease after pin is installed, prior to installing bolt
- Apply thread lock compound (Loctite Blue 242®) to nut or pin threads after pin has been installed through the bearings and frame to prevent contamination of bearing race

Bearing Replacement

- Remove the control link completely from the frame before servicing the bearings. It is best to service all the bearings in the link at once. Refer to the Link Bolt Instructions for servicing the other bearing and hardware located in the control link
- Thoroughly clean bearing pockets of the link after old bearings are removed and re-grease bearing pockets before installing new bearings
- Remove excess grease, clean, and dry the chainstays and bearings after replacement, prior to assembling axle studs, axle nut, and hanger

Service Intervals & Ongoing Maintenance

- Check bearings for smooth operation at least annually (more often depending on frequency and riding environment). If bearings are rough, seized, or there is slop between the inner and outer bearing race, replace as needed
- Inspect pivot hardware for wear or damage at least annually. If pivot hardware becomes damaged, stripped, or develops play that cannot be eliminated with the proper torque specification, replace the affected part(s)
- Check pivot hardware for proper torque every 50 riding hours. Reapply thread lock compound and re-torque as needed

Warranty

Salsa Cycles warrants this new Salsa product against defects in materials and workmanship for two (2) years from the original date of retail purchase by the consumer. This limited warranty is expressly limited to the repair or replacement of the original product, at the option of Salsa Cycles, and is the sole remedy of the warranty. This limited warranty applies only to the original purchaser of the Salsa product and is not transferable. In no event shall Salsa Cycles be liable for any loss, inconvenience or damage, whether direct, incidental or consequential or otherwise resulting from breach of any express or implied warranty or condition, of merchantability, fitness for a particular purpose, or otherwise with respect to this product except as set forth herein.

This warranty does not cover the following:

- Damage due to improper assembly or follow-up maintenance or lack of skill, competence or experience of the end user
- Products that have been modified, neglected, used in competition or for commercial purposes, misused or abused, involved in accidents or anything other than normal use
- Damage or deterioration to the surface finish, aesthetics or appearance of the product
- Normal wear and tear
- Labor required to remove and/or refit and re-adjust the product within the bicycle assembly

To the extent not prohibited by law, these warranties are exclusive and there are no other express or implied warranties or conditions including warranties or conditions of merchantability and fitness for a particular purpose.

Proof of purchase is required before a warranty claim is processed. Salsa Cycles therefore strongly encourages warranty registration at salsacycles.com. Failure to register will not affect consumer rights under the limited warranty stated above, so long as the consumer can show in a reasonable manner proof of original ownership and the date the Salsa Cycles product was purchased.

If you have any questions contact warranty@salsacycles.com or visit www.salsacycles.com/support for more warranty information.

SALSA CYCLES

6400 West 105th Street, Bloomington, MN 55438

Tel: 877-668-6223 Fax: 952-983-6210

www.salsacycles.com