



SUSPENSION FRAME SERVICE - MAIN PIVOT INSTRUCTIONS

At Salsa, we believe that a sense of adventure makes life better. The bicycle can be so much more than just a bike; it's a path to new places, new people, and amazing experiences.

Thank you for your purchase. We hope it makes a good riding experience even better!

Salsa. Adventure by bike.®

▲ WARNING: Cycling can be dangerous. Bicycle products should be installed and serviced by a professional mechanic. Never modify your bicycle or accessories. Read and follow all product instructions and warnings including information on the manufacturer's website. Inspect your bicycle before every ride. Always wear a helmet.

Compatibility & Intended Use

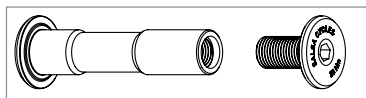
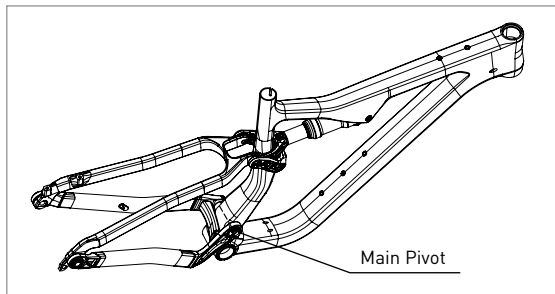
These instructions cover service and replacement of hardware and bearings located at the main pivot of all Salsa suspension frames.

Required Hardware

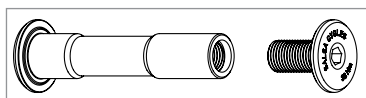
Hardware kits required to service this area include:

- 1588 Main Pivot Hardware Kit for Boost-148 which is compatible with all models, years, and spec levels of Salsa frames with 148mm and 142mm rear hub spacing
- 1589 Main Pivot Hardware Kit for SuperBoost-157 which is compatible with all models, years, and spec levels of Salsa frames with 157mm rear hub spacing

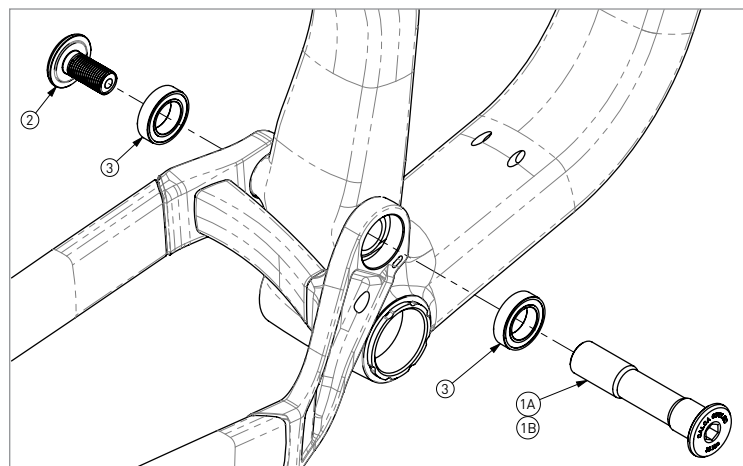
Replacement bearings must be ordered separately. See table below for bearing specification and quantity for each frame model.



1588 Main Pivot Hardware Kit



1589 Main Pivot Hardware Kit



Main Pivot Detail

Tools & Supplies Required

Torque wrench

6mm and 8mm hex bits

Bearing removal and installation tools (if replacing bearings)

Loctite Blue 242®

Lightweight grease

Recommended Service Intervals

Bearings:

When stiff or notchy in multiple spots, or if any side-to-side play is present. This may occur every 1–2 years, depending on riding frequency and environment.

All Pivot Hardware:

If play develops between bearing or frame.

Hardware Service

- A thin coat of light grease can be applied to the frame sleeve and outer diameter of the control link pin prior to installation. Wipe and clean excess grease after pin is installed, prior to installing bolt
- Apply thread locking agent (Loctite Blue 242®) to nut or pin threads after pin has been installed through the bearings and frame to prevent contamination of bearing race

Item #	Description	Item Notes	Found in Kit #	Qty.	Applies to	Tools	Prep	Torque
1A	1279 Main Pivot Pin	Ø17 x 78mm (under-head length)	1588	1	All years, models, & frame materials w/ 148mm & 142mm rear spacing	8mm hex bit	Lightly grease frame sleeve	30Nm (265 in-lb)
1B	1076 Main Pivot Pin	Ø17 x 84mm (under-head length)	1589	1	All years, models, & frame materials w/ 157mm rear spacing	8mm hex bit	Lightly grease frame sleeve	30Nm (265 in-lb)
2	1077 Main Pivot Bolt	M12 x 1.25, 25mm (under-head length)	1588 & 1589	1	All years, models, & frame materials	6mm hex bit	Loctite Blue 242® on threads	30Nm (265 in-lb)
3	MR17287 Cartridge Bearing	Ø17 x Ø28 x 7w	--	2 req.	All years, models, & frame materials	Bearing removal & installation tools	Clean frame pockets, grease for press fit	--



SUSPENSION FRAME SERVICE - MAIN PIVOT INSTRUCTIONS

Bearing Replacement

- Remove and isolate the chainstay set from the rest of the frame before removing or installing bearings
- Thoroughly clean bearing pockets of the chainstay after old bearings are removed and re-grease before installing new bearings
- Remove excess grease, clean, and dry the chainstays and bearings after replacement, prior to reassembling

Ongoing Maintenance

- Check pivots before every ride, tighten to specified torque as needed. Applying thread lock as described helps to prevent bolts from loosening during normal riding conditions
- Inspect pivot hardware for wear/damage at least annually. If pivot hardware becomes damaged, stripped, or develops play that cannot be eliminated with the proper torque specification, replace the affected part(s)
- Check bearings for smooth operation at least annually (more often depending on frequency and riding environment). If bearings are rough, seized, or there is slop between the inner and outer bearing race, replace as needed

Warranty

Salsa Cycles warrants this new Salsa product against defects in materials and workmanship for two (2) years from the original date of retail purchase by the consumer. This limited warranty is expressly limited to the repair or replacement of the original product, at the option of Salsa Cycles, and is the sole remedy of the warranty. This limited warranty applies only to the original purchaser of the Salsa product and is not transferable. In no event shall Salsa Cycles be liable for any loss, inconvenience or damage, whether direct, incidental or consequential or otherwise resulting from breach of any express or implied warranty or condition, of merchantability, fitness for a particular purpose, or otherwise with respect to this product except as set forth herein.

This warranty does not cover the following:

- Damage due to improper assembly or follow-up maintenance or lack of skill, competence or experience of the end user
- Products that have been modified, neglected, used in competition or for commercial purposes, misused or abused, involved in accidents or anything other than normal use
- Damage or deterioration to the surface finish, aesthetics or appearance of the product
- Normal wear and tear
- Labor required to remove and/or refit and re-adjust the product within the bicycle assembly

To the extent not prohibited by law, these warranties are exclusive and there are no other express or implied warranties or conditions including warranties or conditions of merchantability and fitness for a particular purpose.

Proof of purchase is required before a warranty claim is processed. Salsa Cycles therefore strongly encourages warranty registration at salsacycles.com. Failure to register will not affect consumer rights under the limited warranty stated above, so long as the consumer can show in a reasonable manner proof of original ownership and the date the Salsa Cycles product was purchased.

If you have any questions contact warranty@salsacycles.com or visit www.salsacycles.com/support for more warranty information.

SALSA CYCLES

6400 West 105th Street, Bloomington, MN 55438

Tel: 877-668-6223 Fax: 952-983-6210

www.salsacycles.com