



SUSPENSION FRAME SERVICE - LINK BOLT INSTRUCTIONS

At Salsa, we believe that a sense of adventure makes life better. The bicycle can be so much more than just a bike; it's a path to new places, new people, and amazing experiences.

Thank you for your purchase. We hope it makes a good riding experience even better!

Salsa. Adventure by bike.®

▲ WARNING: Cycling can be dangerous. Bicycle products should be installed and serviced by a professional mechanic. Never modify your bicycle or accessories. Read and follow all product instructions and warnings including information on the manufacturer's website. Inspect your bicycle before every ride. Always wear a helmet.

Compatibility & Intended Use

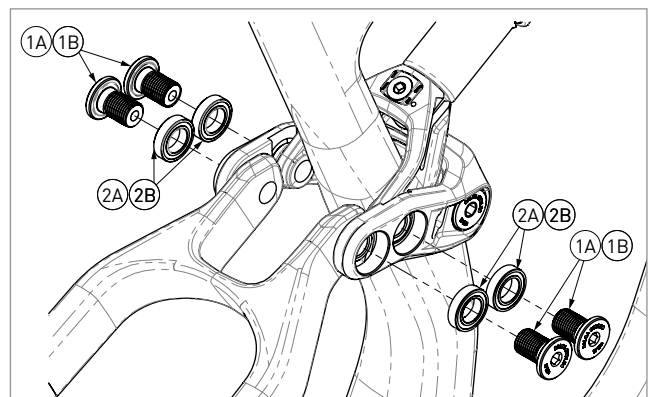
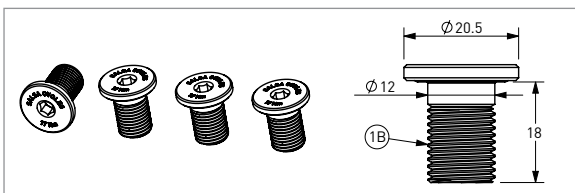
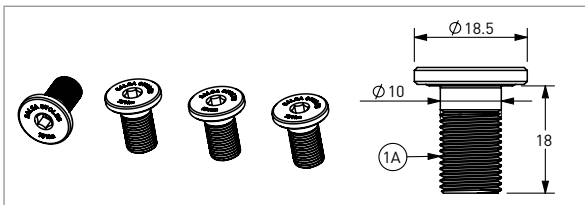
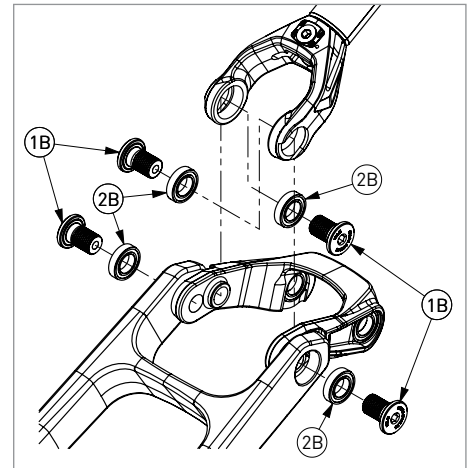
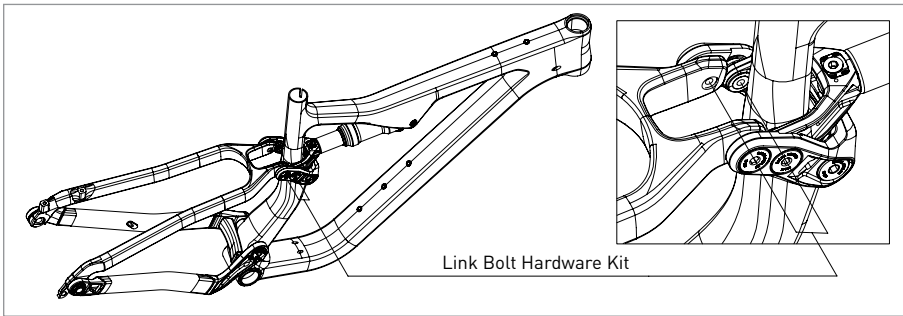
These instructions cover service and replacement of hardware and bearings at the rear two pivots of the control link. Although slightly different for each frame, the assembly methodology, bearings, and hardware parts are common across of all Salsa suspension frames.

Required Hardware

Hardware kits required to service this area include:

- 1591 Link Bolt Hardware Kit which is compatible with MY19+ Spearfish Carbon and Aluminum (all spec levels)
- 1592 Link Bolt Hardware Kit which is compatible with: MY19+ Horsethief Carbon and Aluminum (all spec levels), MY19+ Rustler Carbon and Aluminum (all spec levels), Pre-MY19 Suspensions frame (all models and spec levels)

Replacement bearings must be ordered separately. See table below for bearing specification and quantity for each frame model.



Item #	Description	Item Notes	Found in Kit #	Qty.	Applies to	Tools	Prep	Torque
1A	1170 Link Bolt (M10)	M10 x 1.0	1591	4	MY19+ Spearfish (Carbon & Aluminum)	5mm hex bit	Loctite Blue 242® on threads	15Nm (130 in-lb)
1B	1201 Link Bolt (M12)	M12 x 1.25	1592	4	MY19+ Horsethief (Carbon & Aluminum) MY19+ Rustler (Carbon & Aluminum) Pre-MY19 models (All models & materials)	5mm hex bit	Loctite Blue 242® on threads	17Nm (150 in-lb)
2A	6800 Cartridge Bearing	Ø10 x Ø19 x 5w	--	4 req.	MY19+ Spearfish (Carbon & Aluminum)	Bearing removal & installation tools	Clean frame pockets, grease for press fit	--
2B	6801 Cartridge Bearing	Ø12 x Ø21 x 5w	--	4 req.	MY19+ Horsethief (Carbon & Aluminum) MY19+ Rustler (Carbon & Aluminum) Pre-MY19 models (All models & materials)	Bearing removal & installation tools	Clean frame pockets, grease for press fit	--