

## ANYTHING CAGE HD INSTRUCTIONS

At Salsa, we believe that a sense of adventure makes life better. The bicycle can be so much more than just a bike; it's a path to new places, new people, and amazing experiences.

Thank you for your purchase. We hope it makes a good riding experience even better!

Salsa. Adventure by bike.

**▲ WARNING:** CYCLING CAN BE DANGEROUS. BICYCLE PRODUCTS SHOULD BE INSTALLED AND SERVICED BY A PROFESSIONAL MECHANIC. NEVER MODIFY YOUR BICYCLE OR ACCESSORIES. READ AND FOLLOW ALL PRODUCT INSTRUCTIONS AND WARNINGS INCLUDING INFORMATION ON THE MANUFACTURER'S WEBSITE. INSPECT YOUR BICYCLE BEFORE EVERY RIDE. ALWAYS WEAR A HELMET.

### Compatibility & Intended Use

Experience greater adventures with the Anything Cage HD!

This unconventional 'bicycle rack' creates a flexible carrying system for attaching lightweight gear or larger bottles of water to your bicycle, allowing you to expand your range and diversify your cycling experiences.

Whether you are touring, bikepacking, or just out exploring, our Anything Cages add new capabilities to your bicycle.

Carry lightweight roundish objects such as insulated Nalgene bottle holders, Thermoses, Gatorade jugs, small dry bags, and ultralight sleeping pads and shelters under 6 lb.

### Anything Cage Installation

**Tools:** 4mm hex wrench, torque wrench

The Anything Cage mounts to standard water bottle cage bosses with M5 bolts. It is designed with three bolt holes for use with Salsa frames and forks that feature our three-bolt bosses.

The Anything Cage DOES NOT mount to water bottle cage bosses with only two bolt holes.

**▲ WARNING:** ENTANGLEMENT OF YOUR CARGO OR THE STRAPS IN YOUR FRONT WHEEL COULD STOP THE ROTATION OF THE WHEEL CAUSING A LOSS OF CONTROL OR CRASH THAT COULD LEAD TO SERIOUS INJURY OR DEATH.

Make sure that the Anything Cage, straps, cargo cage, and cargo do not interfere with the function of your bicycle BEFORE attempting to ride. Ensure even cargo distribution, and confirm lights and reflectors are not obstructed by the cage or cargo.

### Three-Bolt Configuration (for Salsa Forks and Frames)

1. Mount the cage to the fork/frame using the three supplied M5 bolts with 12mm washers (figs. 1 & 2). Torque 0.75–1.5Nm
2. Route the top strap around the back of the frame or fork, through the inside of the cage, (figs. 3 & 4) and snugly around your cargo (figs. 5 & 6). Route the bottom strap around the back of the frame or fork and snugly around your cargo, making sure both straps sit flat and do not interfere with the wheel/tire or anything else.
3. Check that your cargo and all loose straps are secure before riding and periodically during use.



Figure 1



Figure 2



Figure 3



Figure 4



Figure 5



Figure 6



## ANYTHING CAGE HD INSTRUCTIONS

### Salsa Cycles Limited Warranty

All Salsa products are warranted against manufacturing defects in materials and workmanship from the date of retail purchase of the product, subject to the limitations detailed below. Save your dated receipt for proof of purchase.

#### Three-Year Warranty

All Salsa bicycle forks, parts and components:

This warranty applies to 2014 and newer model bicycles and covers only Salsa Cycles branded product. Any other original part or component shall be covered by the stated warranty of the original manufacturer. Any products not specifically included above are hereby omitted.

TO THE EXTENT NOT PROHIBITED BY LAW, THESE WARRANTIES ARE EXCLUSIVE AND THERE ARE NO OTHER EXPRESS OR IMPLIED WARRANTIES OR CONDITIONS INCLUDING WARRANTIES OR CONDITIONS OF MERCHANTABILITY AND FITNESS FOR A PARTICULAR PURPOSE.

This warranty does not cover the following:

- Damage due to improper assembly or follow-up maintenance or lack of skill, competence, or experience of the user or assembler
- Products that have been modified, neglected, used in competition or for commercial purposes, misused or abused, involved in accidents or anything other than normal use
- Installation of components, parts, or accessories not originally intended for use with or compatible with Salsa product
- Damage or deterioration to the surface finish, aesthetics or appearance of the product including but not limited to paint damage
- Normal wear and tear
- Labor required to remove and/or refit and re-adjust the product within the Salsa product
- Damage to carbon fiber caused by any carbon assembly paste

This limited warranty is expressly limited to the repair or replacement of a defective product, at the option of Salsa Cycles, and is the sole remedy of the warranty. This limited warranty applies only to the original purchaser of the Salsa Cycles product and is not transferable. This warranty applies only to Salsa Cycles products purchased through an authorized dealer or distributor.

In no event shall Salsa Cycles be liable for any loss, inconvenience or damage, whether direct, incidental, consequential, or otherwise resulting from breach of any express or implied warranty or condition, of merchantability, fitness for a particular purpose, or otherwise with respect to our products except as set forth herein. This warranty gives the consumer specific legal rights, and those rights and other rights may vary from place to place. This warranty does not affect your statutory rights.

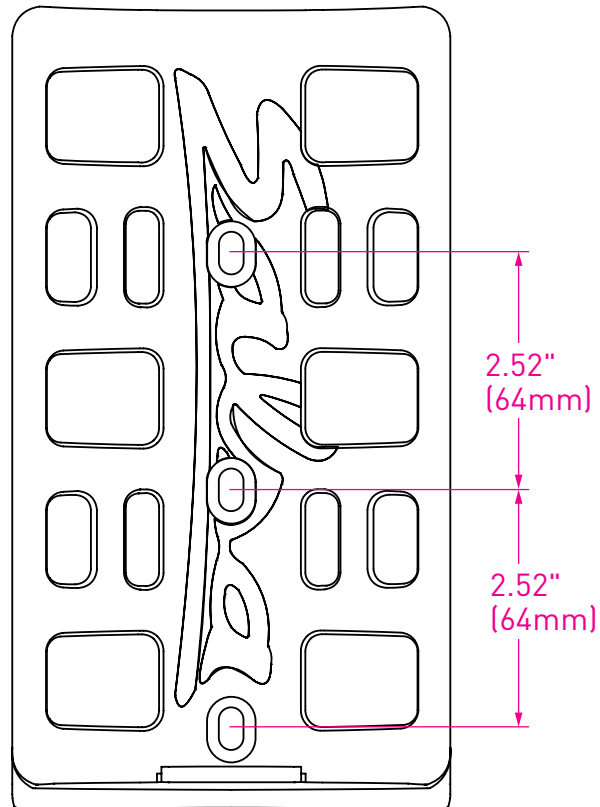
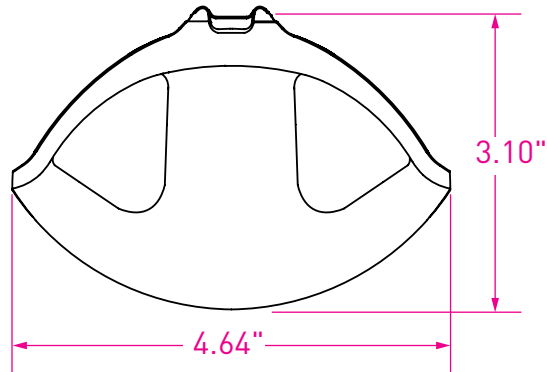
#### Warranty Registration:

Proof of purchase is required before a warranty claim is processed. Salsa Cycles therefore strongly encourages warranty registration at [salsacycles.com](http://salsacycles.com). Failure to register will not affect consumer rights under the limited warranty stated above, so long as the consumer can show in a reasonable manner proof of original ownership and the date the Salsa Cycles product was purchased.

If you have any questions contact [warranty@salsacycles.com](mailto:warranty@salsacycles.com)

## DIMENSIONS FOR ANYTHING CAGE HD

Standard water bottle boss dimension



### SALSA CYCLES

6400 West 105th Street, Bloomington, MN 55438

Tel: 877-MOTO-ACE Fax: 952-983-6210

[www.salsacycles.com](http://www.salsacycles.com)

577378 2/20

For additional product and safety information go to [salsacycles.com/safety](http://salsacycles.com/safety)