

## Alternator Dropout Instructions

At Salsa, we believe that a sense of adventure makes life better. The bicycle can be so much more than just a bike; it's a path to new places, new people, and amazing experiences.

Thank you for your purchase. We hope it makes a good riding experience even better!

Salsa. Adventure by bike.®

**▲ WARNING: CYCLING CAN BE DANGEROUS. BICYCLE PRODUCTS SHOULD BE INSTALLED AND SERVICED BY A PROFESSIONAL MECHANIC. NEVER MODIFY YOUR BICYCLE OR ACCESSORIES. READ AND FOLLOW ALL PRODUCT INSTRUCTIONS AND WARNINGS INCLUDING INFORMATION ON THE MANUFACTURER'S WEBSITE. INSPECT YOUR BICYCLE BEFORE EVERY RIDE. ALWAYS WEAR A HELMET.**

## Compatibility

Alternator Dropouts are only compatible with Salsa frames designed for Alternator Dropouts with 135/142, 170/177, or 190/197mm rear dropout spacings.. The swing plates featured on the Alternator Dropout are part of a modular design system which allows for replacement in the event of damage/loss and also to accommodate various hub and drivetrain configurations. Available aftermarket swing plate options are:

(Refer to figure below)

- ① Driveside, 10mm QR, geared
- ② Non-driveside, 10mm QR
- ③ Driveside, 10mm QR, single-speed
- ④ Non-driveside, Rohloff OEM2 with fender mount
- ⑤ Driveside, 10mm QR, single-speed w/ fender mount
- ⑥ R/L pair, 10mm QR w/ Hanger & fender mount
- ⑦ Driveside 12mm TA, geared, TP=1.75
- ⑧ Driveside 12mm TA, geared, TP=1.50
- ⑨ Driveside 12mm TA, single-speed, TP=1.75
- ⑩ Driveside 12mm TA, single-speed, TP=1.50
- ⑪ Non-driveside, 12mm TA, (all TPs)

## Required Tools

- 10mm box-end wrench
- 3, 5, & 6mm hex wrenches
- Torque wrench with 5 & 6mm hex bits
- Thread-locking compound

## Hardware Kit(s)

A replacement hardware kit for attaching swing plates to frame plates is available and includes the following:

- ⑫ Cup washer (qty 2)
- ⑬ Swing plate fixing bolt (qty 2), M8 x 1.25, 16 or 18mm
- ⑭ Upper pivot bolt, driveside, M6 x 1.0 w/ washer, 16 or 18mm
- ⑮ Lock Nut, M6 x 1.0
- ⑯ Upper pivot bolt, non-driveside, M6 x 1.0 w/ washer, 22 or 24mm

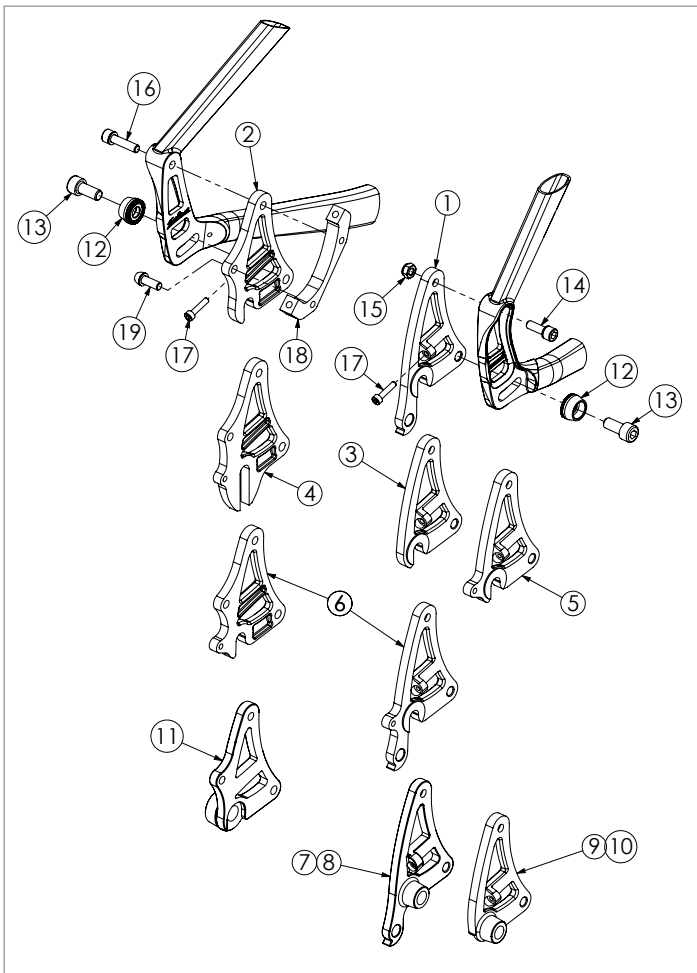
And comes in two variations:

Short (16 & 22mm) - for all steel frames and Ti frames with cast frame plates.

Long (18 & 24mm) - for all aluminum frames and Ti frames with welded-hood frame plates

## Tension Screws (Pairs are sold separately from the Hardware Kits)

- ⑰ Set screw (qty 2) M4 x 0.7, 18mm



## ALTERNATOR DROPOUT INSTRUCTIONS

### Not Included but Needed for Assembly

- 18 I.S. disc brake adaptor (per brake manufacturer's specifications).
- 19 Disc brake adaptor fixing bolt (per brake manufacturer's specifications)

**NOTE:** Alternator dropouts are not compatible with 140mm rotor/disc brake setups.

**▲ WARNING:** Only use hardware with the Salsa Alternator Dropout that is provided with the Alternator Dropout kit, or sold by Salsa specifically for the Alternator Dropout. Do not use any other hardware.

**▲ WARNING:** Use only the appropriate length hardware according to frame material to attach swing plates. Using the incorrect or different length hardware could lead to damage, failure, or interference of moving parts, all of which could cause serious harm to the bicycle and rider.

### Disc Brake Mount Installation

Tools: 5 & 6mm hex wrench, 10mm box-end wrench, thread-locking compound

1. Remove the nut used for shipping from the non-driveside upper pivot bolt. Set it aside as a spare to the driveside nut (FIG 1).
2. Mount your disc brake adapter using the same upper pivot bolt and 1 of the 2 bolts supplied with the brake adapter. Apply thread locking compound to both bolts. Secure the lower adapter bolt to the brake according to manufacturer's specification. Tighten the upper pivot bolt just enough to complete brake caliper installation. You will fully tighten it later after dropout adjustment is completed (FIG 2).
3. Install the rear brake caliper, rear wheel, and then align and secure the brake caliper to the rotor per the brake manufacturer's instructions (FIG 3).
4. Proceed to Dropout Adjustment section.

### Dropout Adjustment

Tools: 3, 5, & 6mm hex wrenches

1. Slightly loosen the upper pivot bolts and the lower fixing bolts on both the driveside and non-driveside dropouts (FIG 4).
2. Install and secure the rear wheel properly into the dropouts
3. For geared setups using thru-axle or QR swing plates:
  - Push the swing plates all the way forward (FIG 5)
  - Check for adequate (~6mm min) tire clearance to the stays and front derailleur
  - If clearance is adequate, proceed to Securing Dropouts
  - If clearance is not adequate, proceed to the next section

4. For singlespeed, Rohloff, and geared setups with clearance issues:
  - Install the provided tension screws into the swing plates
  - Turn the driveside tension screw until proper chain tension is achieved and/or adequate tire clearance is reached (FIG 6)
  - Turn the non-driveside tension screw until proper wheel alignment is reached
  - Proceed to Securing Dropouts

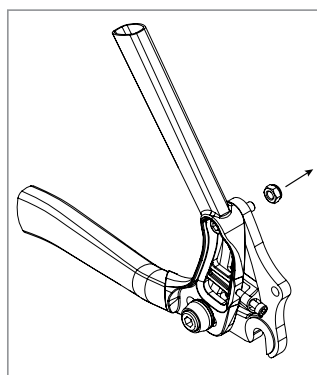


Figure 1

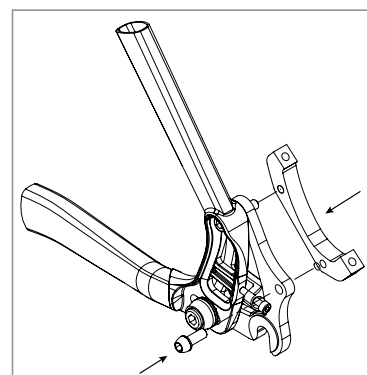


Figure 2

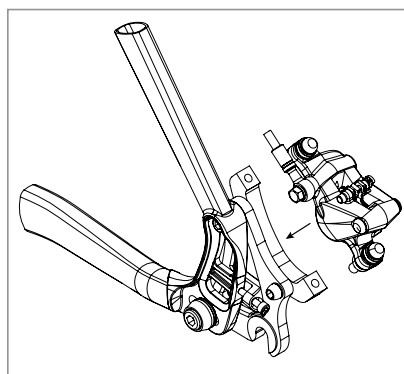


Figure 3

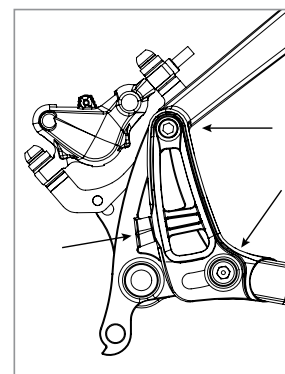


Figure 4

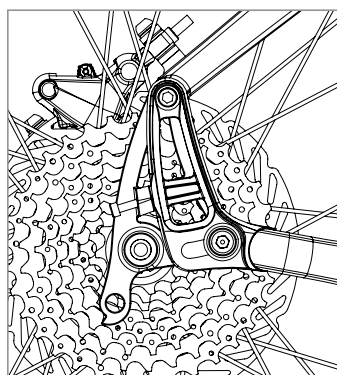


Figure 5

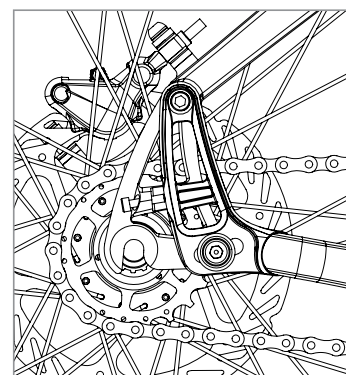


Figure 6



# ALTERNATOR DROPOUT INSTRUCTIONS

## Securing Dropouts

Tools: 3mm hex wrench, torque wrench with 5 & 6mm hex bits

With the wheel properly installed and secured and the dropouts properly adjusted:

1. Tighten the upper fixing bolts and both lower fixing bolts to 8Nm (FIG 4).
3. If present, tighten both tension screws 1/8 turn to prevent them from rattling out during use (FIG 4).
4. Check wheel alignment and tire clearance again.
5. If applicable, check for proper chain tension again.
6. Check brake caliper alignment and security.

**▲ WARNING:** Only use hardware with the Salsa Alternator Dropout that is provided with the Alternator Dropout kit, or sold by Salsa specifically for the Alternator Dropout. Do not use any other hardware.

**▲ WARNING:** Use only the appropriate length hardware according to frame material to attach swing plates. Using the incorrect or different length hardware could lead to damage, failure, or interference of moving parts, all of which could cause serious harm to bicycle and also to the rider.

**▲ WARNING:** Do not use fender mounts for securing racks or any other load bearing systems/accessories. Doing so could lead to damage failure, or interference of moving parts, all of which could cause serious harm to the bicycle and also the rider.

## Thru-Axle Sizing:

When thru-axle swing plates are fitted to Alternator dropout-equipped frames (regardless of frame material), the resulting axle size is required:

- El Mariachi, Fargo, & Vaya Travel (142 x12)  
12 x 174 Long, Thread Pitch = 1.75, Thread Length = 20
- Mukluk (177 x 12)  
12 x 208 Long, Thread Pitch = 1.50, Thread Length = 20
- Blackborow (197 x 12)  
12 x 129 Long, Thread Pitch = 1.50, Thread Length = 20

**Note:** The thread pitch listed is what the stock frameset/bike includes. Using a different thread pitch axle is possible (with the correct swing plate) but the Axle Length and Thread Length must also be matched.

## Salsa Cycles Limited Warranty

All Salsa products are warranted against manufacturing defects in materials and workmanship from the date of retail purchase of the product, subject to the limitations detailed below. Every Salsa frame, component, and apparel has a useful product life cycle. The length of that useful product life cycle will vary depending on the construction and the materials of the product, maintenance and care the product receives, and the amount and type of use the product is subjected to over its life. Save your dated receipt for proof of purchase.

**NOTE:** All warranty periods below apply to original owner only

### Five-Year Warranty

- Steel frames
- Titanium frames
- Carbon frames
- Carbon front triangle of suspension frames

### Three-Year Warranty

- Aluminum frames
- Aluminum front triangles of suspension frames
- All Salsa forks
- All Salsa components

### Two-Year Warranty

- Aluminum chainstays of suspension frames
- Aluminum seatstays of suspension frames
- Carbon seatstays of suspension frames
- All other suspension frame parts (excludes hanger, pivot hardware, bearings)

### One-Year Warranty

- All apparel
- All frame bags

Salsa Cycles does not guarantee the compatibility of original components with a warranty replacement frame. Salsa Cycles is not responsible for parts or labor required to remove and/or refit and re-adjust the product within the bicycle assembly, including wheel rebuilds.

Salsa Cycles cannot guarantee a color match to the original frame, component, or apparel in the event of a replacement.

This warranty applies to 2014 and newer model bicycles and covers only Salsa Cycles branded product. Any other original part or component shall be covered by the stated warranty of the original manufacturer. Any products not specifically included above are hereby excluded.

This warranty does not cover the following:

- Damage due to improper assembly or follow-up maintenance or lack of skill, competence or experience of the user or assembler
- Bicycles that were not assembled or serviced by an authorized Salsa Cycles dealer

## SALSA CYCLES

6400 West 105th Street, Bloomington, MN 55438  
Tel: 877-MOTO-ACE Fax: 952-983-6210  
www.salsacycles.com



## ALTERNATOR DROPOUT INSTRUCTIONS

- Products that have been modified, neglected, used in competition, or for commercial purposes such as rental, courier, police, security, etc, misused or abused, involved in accidents or anything other than normal use
- Installation of components, parts, or accessories not originally intended for use with or compatible with Salsa frames and components
- Salsa Cycles bicycles, frames, components or softgoods purchased from an unauthorized dealer
- Salsa Cycles bicycles, frames, components or softgoods purchased from third-party internet sites, including auction websites, and regional trading websites (examples: Amazon, eBay, and Craigslist) are not covered under this warranty, even if you have a receipt
- Sandblasting, sanding, grinding, wire brushing, filing, welding, brazing, drilled holes, anodizing, refinishing, powder coating, or chrome plating the bicycle, frame, or component will void the warranty
- Internal rust perforation on all steel frames
- Wear, scratches, chips and cracks to paint, finish, or coating on all Salsa frames and components
- Bent or broken derailleur hangers or Alternator plates
- Labor required to remove and/or refit and re-adjust the product within the bicycle assembly, including wheel rebuilds
- Damage to carbon fiber caused by any carbon assembly paste
- Normal wear and tear

### Legal Disclaimer

This limited warranty is expressly limited to the repair or replacement of a defective product, at the option of Salsa Cycles, and is the sole remedy of the warranty. This limited warranty applies only to the original purchaser of the Salsa Cycles product and is not transferable. This warranty applies only to Salsa Cycles products purchased through an authorized dealer or distributor. In no event shall Salsa Cycles be liable for any loss, inconvenience or damage, whether direct, incidental, consequential, or otherwise resulting from breach of any express or implied warranty or condition of merchantability, fitness for a particular purpose, or otherwise with respect to our products except as set forth herein. This warranty gives the consumer specific legal rights, and those rights and other rights may vary from place to place. This warranty does not affect your statutory rights.

TO THE EXTENT NOT PROHIBITED BY LAW, THESE WARRANTIES ARE EXCLUSIVE AND THERE ARE NO OTHER EXPRESS OR IMPLIED WARRANTIES OR CONDITIONS INCLUDING WARRANTIES OR CONDITIONS OF MERCHANTABILITY AND FITNESS FOR A PARTICULAR PURPOSE.

For 2013 and older model bicycles and products, please consult your Owner's Manual, Salsa Cycles product instructions, or contact Salsa Cycles or your authorized Salsa dealer for the applicable warranty information.

### Warranty Registration

Proof of purchase is required before a warranty claim is processed. Salsa Cycles therefore strongly encourages warranty registration at [salsacycles.com](http://salsacycles.com). Failure to register will not affect consumer rights under the limited warranty stated above, so long as the consumer can show in a reasonable manner proof of original ownership and the date the Salsa Cycles product was purchased.

If you have any questions contact [support@salsacycles.com](mailto:support@salsacycles.com)