

WANDERLUST & WANDERLUST HD RACK INSTRUCTIONS



At Salsa, we believe that a sense of adventure makes life better. The bicycle can be so much more than just a bike; it's a path to new places, new people, and amazing experiences.

Thank you for your purchase. We hope it makes a good riding experience even better!

Salsa. Adventure by bike.

Intended Use

Wanderlust racks turn your bicycle into a lean, mean, touring machine. They feature a load capacity of up to 33 lb/15kg (Wanderlust) and 55 lb/25kg (Wanderlust HD) and are designed to work well with most pannier designs.

Whether you are taking a day trip or a month-long adventure, riding to the store or around the world, Wanderlust racks will help you and your gear make it to your final destination.

⚠ WARNING

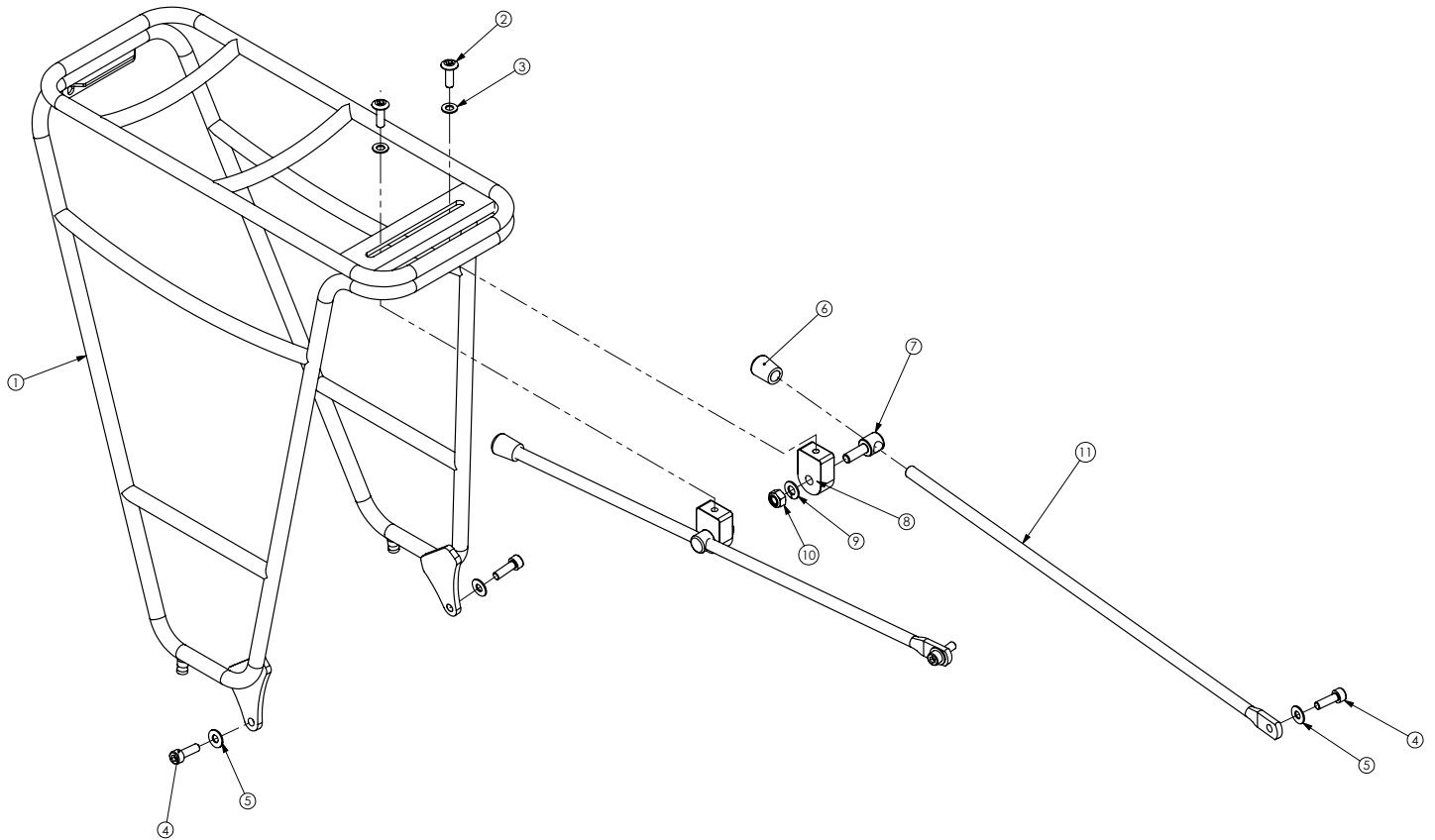
- Wanderlust racks are compatible only on frames with dropout AND either seatstay mounts or seat clamps with mounts
- Do not exceed the load capacity of 33 lb/15kg for Wanderlust and 55 lb/25kg for Wanderlust HD
- Wanderlust racks are not designed for carrying anything other than panniers or rack-specific bags
- Do not modify the Wanderlust rack. Doing so will void the warranty (see below)
- Rear racks may change the steering and handling of your bike, especially when loaded. Be sure to test the handling out in a safe area before riding
- Make sure your load is evenly balanced and secure before riding (i.e. no loose straps to get caught in the wheels)
- Position reflectors and lights so that they are not obstructed when the rack is loaded
- Periodically check to make sure that the mounting bolts that attach your Wanderlust Rack to the frame or fork are properly tightened. Failure to do so may result in your rack or cargo coming loose which could cause a crash resulting in serious injury or death.

⚠ WARNING: CYCLING CAN BE DANGEROUS. BICYCLE PRODUCTS SHOULD BE INSTALLED AND SERVICED BY A PROFESSIONAL MECHANIC. NEVER MODIFY YOUR BICYCLE OR ACCESSORIES. READ AND FOLLOW ALL PRODUCT INSTRUCTIONS AND WARNINGS INCLUDING INFORMATION ON THE MANUFACTURER'S WEBSITE. INSPECT YOUR BICYCLE BEFORE EVERY RIDE. ALWAYS WEAR A HELMET.

Tools:

- 4mm hex wrench
- 10mm box-end wrench
- Hacksaw
- File
- Marker
- Level (optional)

WANDERLUST & WANDERLUST HD RACK INSTRUCTIONS



Item #	Description	Quantity
1	Wanderlust & Wanderlust HD Rack Welded Assembly	1
2	Low-Profile Socket Head Cap Screw - M5 x 0.8, 16mm	2
3	M5 Typical Washer, Stainless Steel	2
4	Socket Head Cap Screw - M5 x 0.8, 16mm	4
5	M5 Washer (Wide), 12mm OD, Stainless Steel	4
6	End Cap - 8mm ID	2
7	Swivel Bolt for 8mm OD Rack Strut	2
8	Swivel Mount - Rear Cargo Rack (M6 Version)	2
9	M6 Typical Lock Washer, Stainless Steel	2
10	M6 Nylon Lock Nut	2
11	Rack Part - Mounting Strut	2

WANDERLUST & WANDERLUST HD RACK INSTRUCTIONS



Rack Installation

1. Attach both lower rack legs to the frame's dropout mounts using M5 socket head cap screws, but don't fully tighten them yet (Fig. 1)
2. Loosen the rack's mounting struts using a 4mm hex wrench and 10mm box-end wrench (Figs. 2 & 3). Position the rack stays in line with the seatstay mounts, ensuring that the rack is level (parallel to the ground)
3. Mark how long the rack stays need to be to reach the seatstay mounts (Fig. 3)
4. Cut the rack stays to length with a hacksaw, file away any rough edges, and reinstall the end caps (Fig. 4)
5. Attach the rack stays with M5 socket head cap screws (Fig. 5)
6. Secure the mounting struts in the seatstays, again using the 4mm hex and 10mm box-end wrenches (Fig. 6)
7. Make sure the rack is parallel with the ground and make adjustments as needed (Fig. 7)
8. Tighten all hardware to 4–5 Nm. This includes lower leg screws, seatstay screws, swivel bolts and screws, and mounting strut screws.

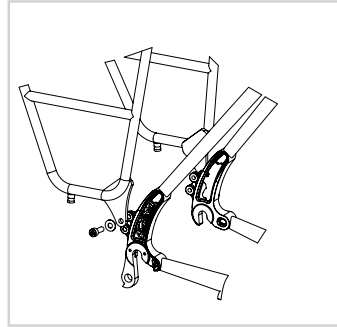


Figure 1

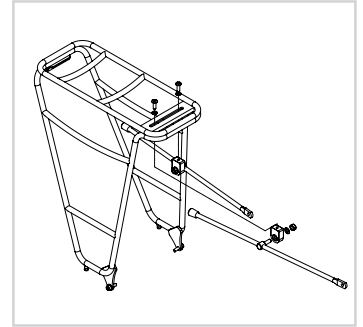


Figure 2

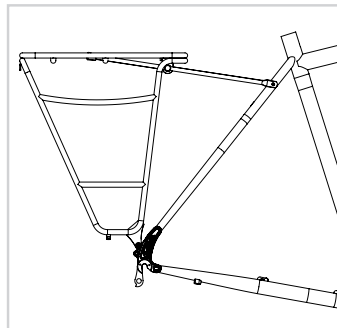


Figure 3

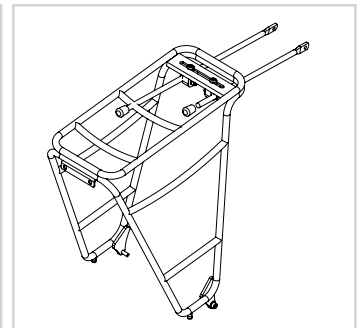


Figure 4

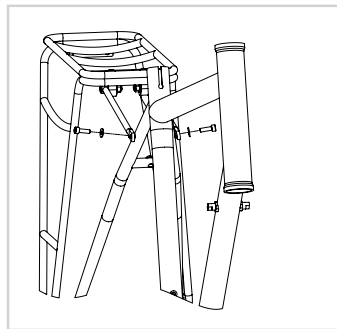


Figure 5

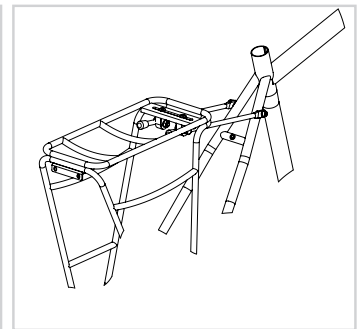


Figure 6

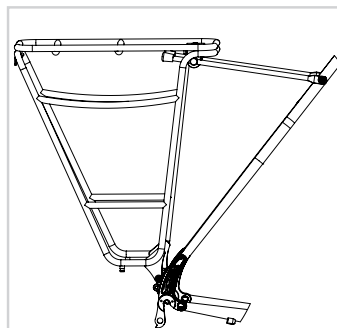


Figure 7

WANDERLUST & WANDERLUST HD RACK INSTRUCTIONS



Warranty

Salsa Cycles warrants this new Salsa product against defects in materials and workmanship for two (2) years from the original date of retail purchase by the consumer. This limited warranty is expressly limited to the repair or replacement of the original product, at the option of Salsa Cycles, and is the sole remedy of the warranty. This limited warranty applies only to the original purchaser of the Salsa product and is not transferable. In no event shall Salsa Cycles be liable for any loss, inconvenience or damage, whether direct, incidental or consequential or otherwise resulting from breach of any express or implied warranty or condition, of merchantability, fitness for a particular purpose, or otherwise with respect to this product except as set forth herein.

This warranty does not cover the following:

- Damage due to improper assembly or follow-up maintenance or lack of skill, competence or experience of the end user
- Products that have been modified, neglected, used in competition or for commercial purposes, misused or abused, involved in accidents or anything other than normal use
- Damage or deterioration to the surface finish, aesthetics or appearance of the product
- Normal wear and tear
- Labor required to remove and/or refit and re-adjust the product within the bicycle assembly

TO THE EXTENT NOT PROHIBITED BY LAW, THESE WARRANTIES ARE EXCLUSIVE AND THERE ARE NO OTHER EXPRESS OR IMPLIED WARRANTIES OR CONDITIONS INCLUDING WARRANTIES OR CONDITIONS OF MERCHANTABILITY AND FITNESS FOR A PARTICULAR PURPOSE.

SALSA CYCLES

6400 West 105th Street, Bloomington, MN 55438

Tel: 877-MOTO-ACE Fax: 952-983-6210

www.salsacycles.com

1053 04/13

For additional product and safety information go to salsacycles.com/safety